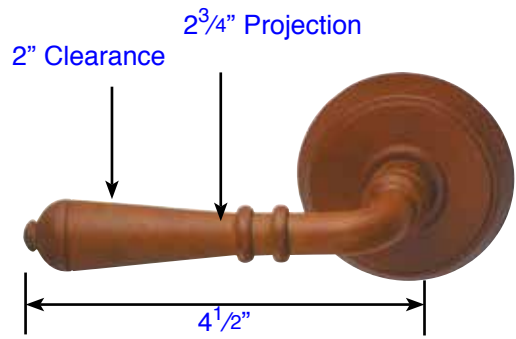
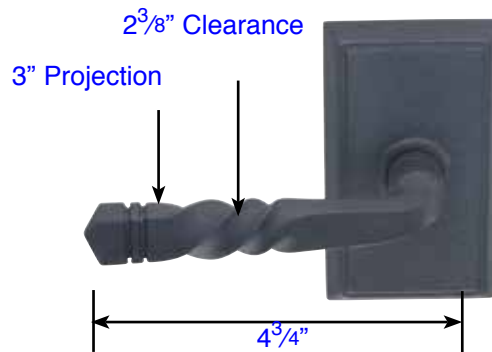


Lafayette (L)



Normandy (N)



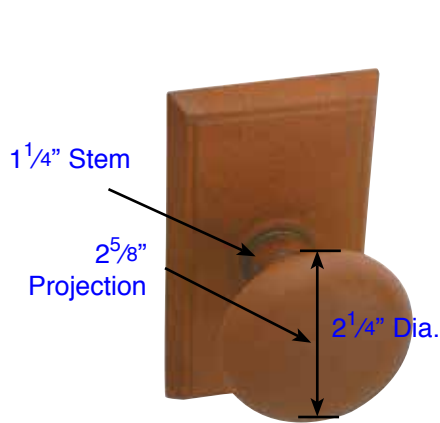
San Carlos (SC)

Door Thickness Specifications

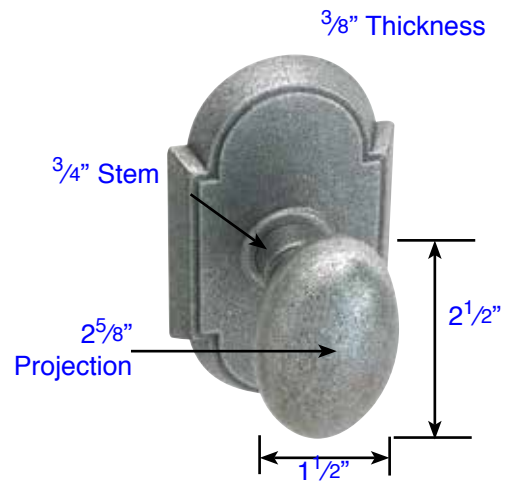
- Standard Door Thickness: 1 3/8" - 2"
- Standard Components:
 - Privacy Pin (for privacy sets)
 - Inside Passage Half Spindle
 - 1 1/2" Rosette Screws
 - Full-Lip Strike Plate

- **Extended** Door Thickness: 2" - 2 1/4"
- Extended Components:
 - Privacy Pin w/ Extension (for privacy sets)
 - Long Inside Passage Half Spindle
 - 2" Rosette Screws
 - Extended Full-Lip Strike Plate

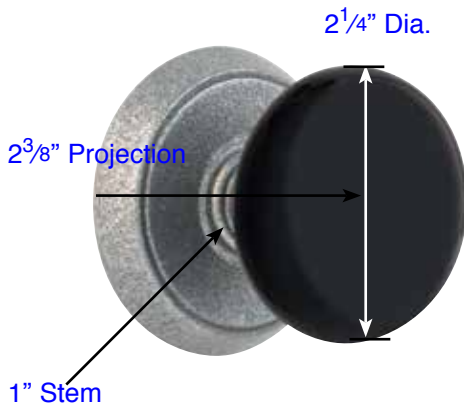
- **Extended** Door Thickness: 2 1/4" - 3"
- Extended Components:
 - Privacy Pin w/ Extension (for privacy sets)
 - Extra Long Inside Passage Half Spindle
 - 2 1/2" Rosette Screws
 - Extended Full-Lip Strike Plate



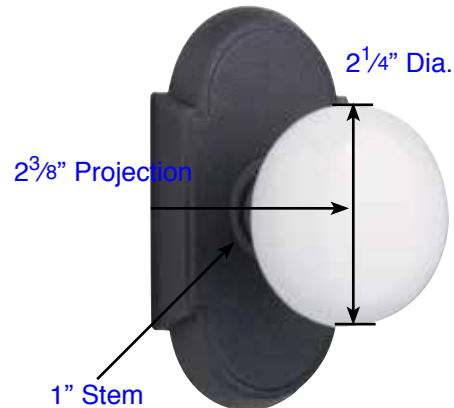
Jamestown (J)



Savannah (SV)



Black Madison (MB)



Ivory Madison (IM)

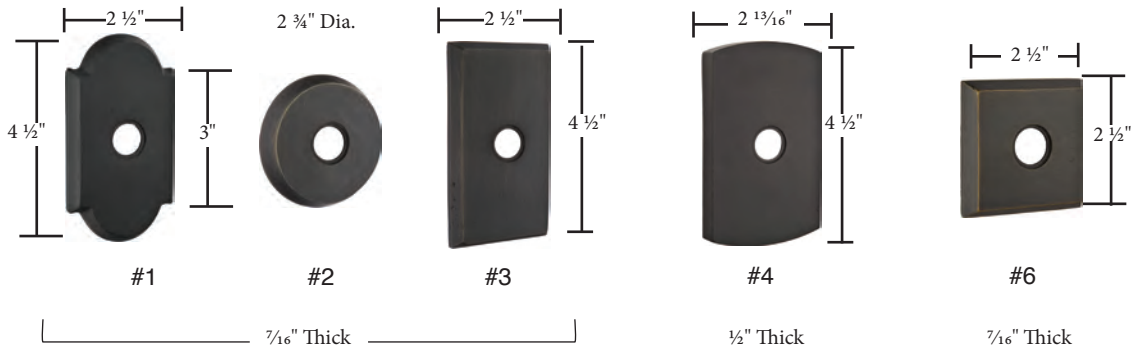
Door Thickness Specifications

- Standard Door Thickness: 1³/₈"- 2"
- Standard Components:
 - Privacy Pin (for privacy sets)
 - Inside Passage Half Spindle
 - 1¹/₂" Rosette Screws
 - Full-Lip Strike Plate

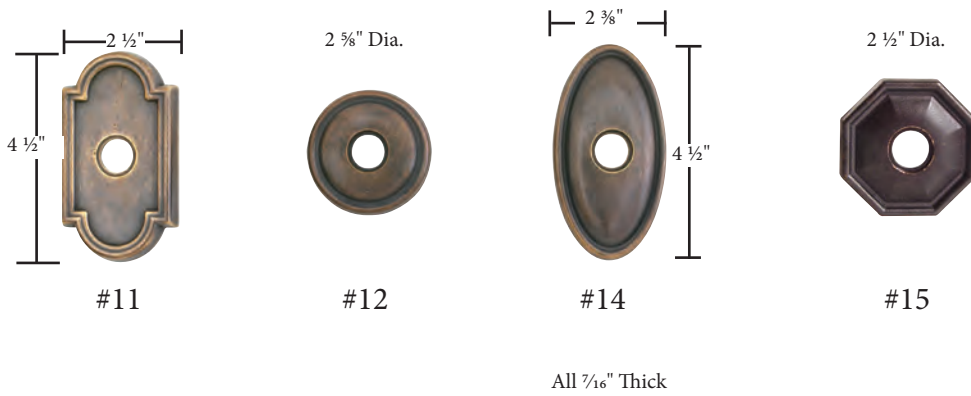
- **Extended** Door Thickness: 2"- 2¹/₄"
- Extended Components:
 - Privacy Pin w/ Extension (for privacy sets)
 - Long Inside Passage Half Spindle
 - 2" Rosette Screws
 - Extended Full-Lip Strike Plate

- **Extended** Door Thickness: 2¹/₄"- 3"
- Extended Components:
 - Privacy Pin w/ Extension (for privacy sets)
 - Extra Long Inside Passage Half Spindle
 - 2¹/₂" Rosette Screws
 - Extended Full-Lip Strike Plate

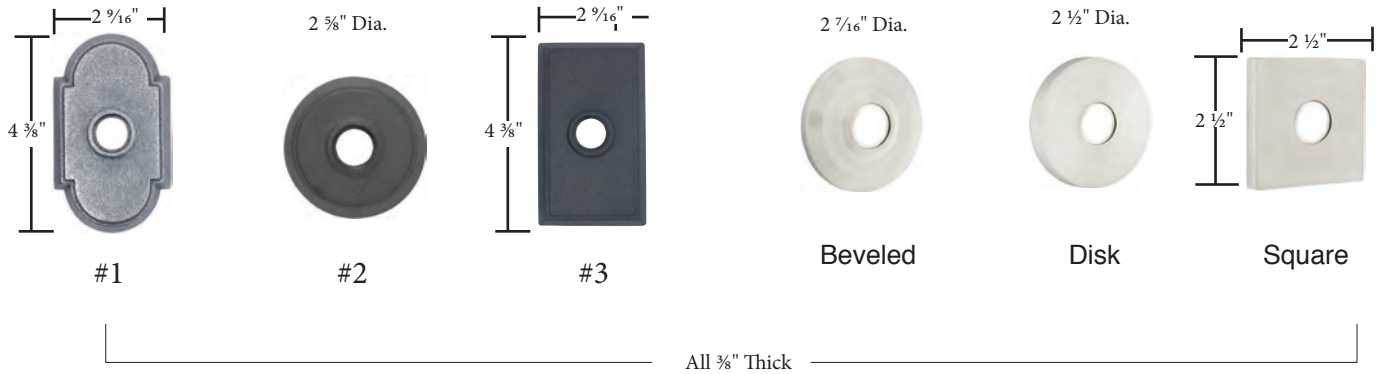
Sandcast Bronze Rosettes



Lost Wax Cast Bronze Rosettes



Wrought Steel & Stainless Steel Rosettes



- Same dimensions for doorbell buttons
- Screw-to-Screw for rosette/doorbell buttons 1 5/8"