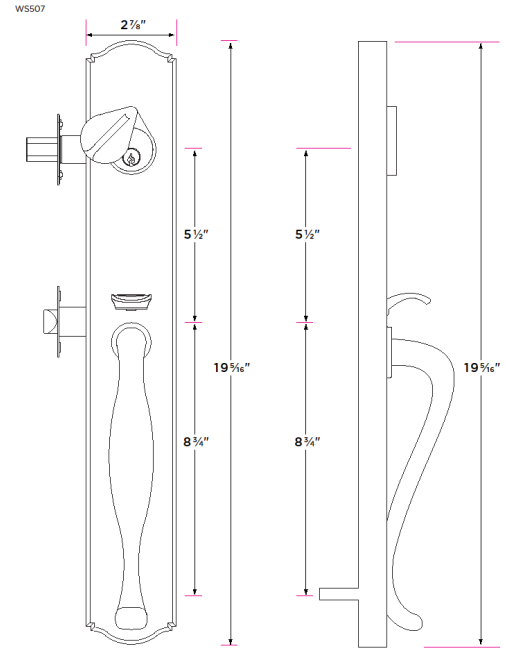


Wasatch Handleset



DESCRIPTION

PRODUCT
CODE

CASE

Sandstone Lever-Interior Trim Right Hand	WS507-SS RH	6
Sandstone Lever-Interior Trim Left Hand	WS507-SS LH	6
Slickrock Knob- Interior Trim	WS507-SR	6
Wasatch Dummy Handleset	WS500	6

Finishes

11P Vintage Bronze

Door Handing

Specify handing for sandstone interior trim

Door Thickness

1 3/8" to 1 3/4"

Expansion pack available for 2 1/4" thick doors

Key Cylinder

5 Pin KW1

5 Pin SC1 option

Strike Plate

2 1/4" x 1 3/4" full-lip radius corner standard

2 1/4" x 1" deadbolt strike

2 3/4" x 1 1/8" deadbolt strike

Latch

2 1/4" x 1" radius corner faceplate

Adjustable 2 3/8" or 2 3/4"

2 3/8" drive-in latch available

1/2" throw bolt

Split Spindle- both sides operate independently

1" deadbolt throw

Cut resistant bolt with hardened steel rolling inserts

Door Prep

Crossbore 2 1/8"

Edgebore 1"

5 1/2" center-to-center

Materials

Solid brass

All metal parts