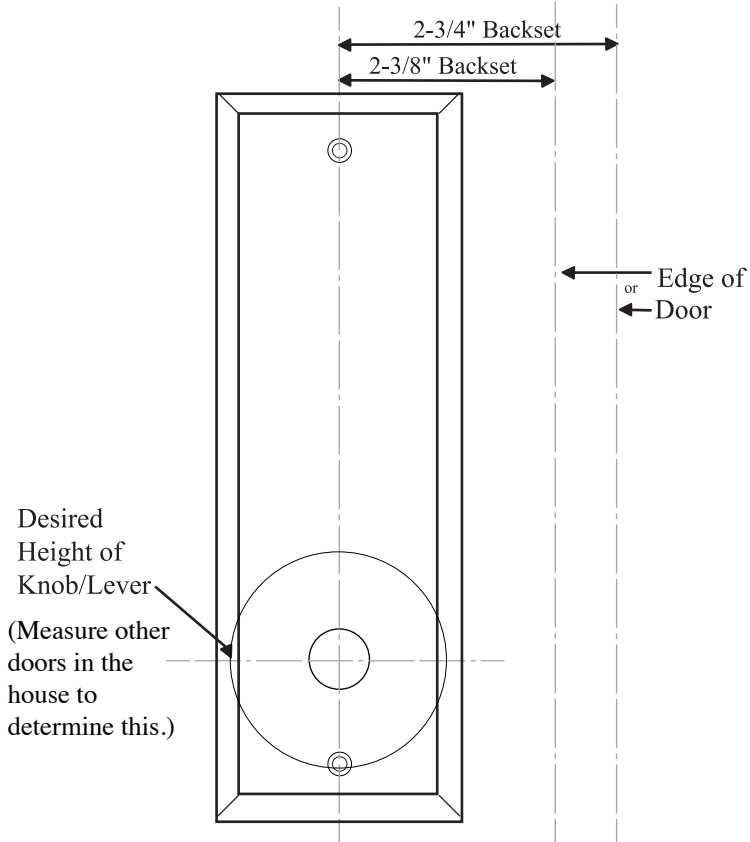


Tall Plate Door Hardware

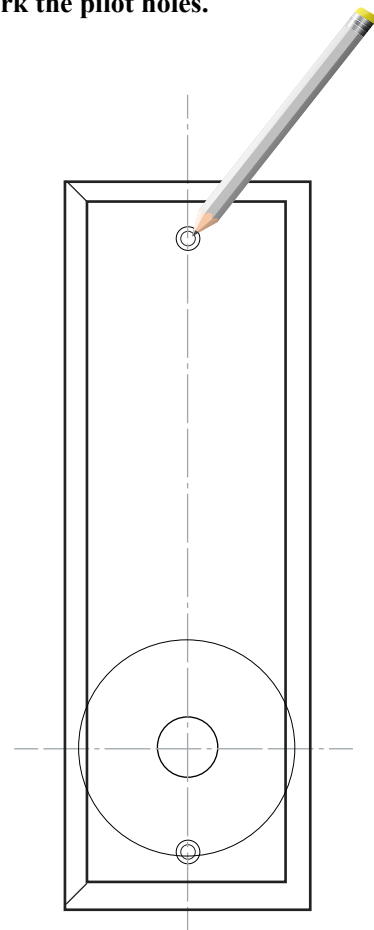
Installation Instructions — For doors with or without a 2-1/8" cross-bore

Double Dummy

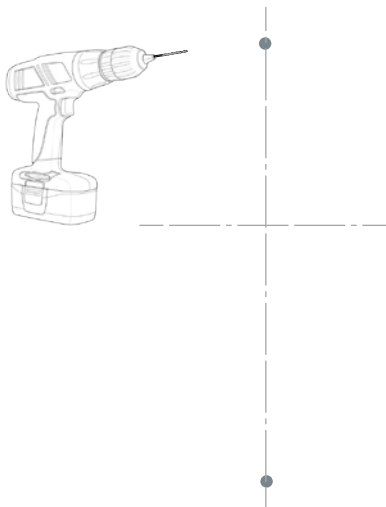
- A** Determine backset (distance between edge of door and center of tall plate.) Check other doors in the house to determine backset.



- B** Mark the pilot holes.



- C** Using a 1/4" drill bit, drill completely through the door.

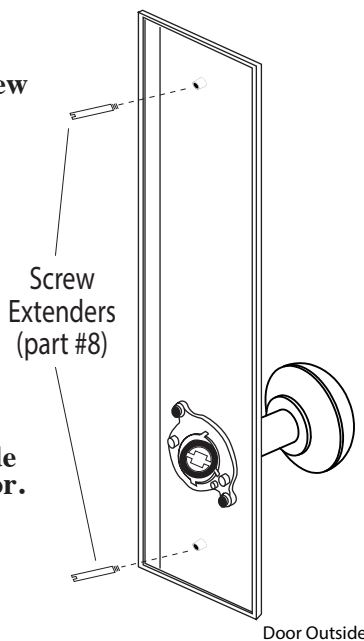


- D**

Install screw extenders into exterior tall plate.

Tighten securely.

Place the exterior plate on the outside of the door.



- E**

Install the tall plate mounting screws and tighten until snug.

