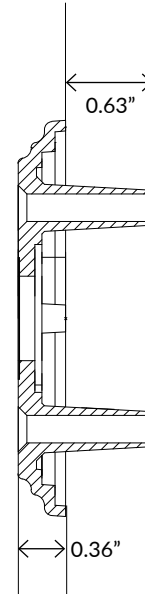
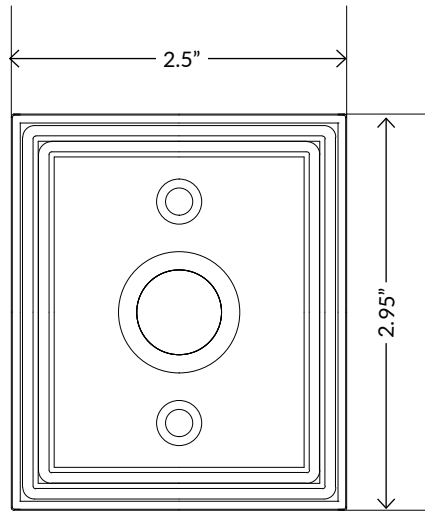


Carré Rosette



Carré Rosette in Satin Nickel

TECHNICAL SPECIFICATIONS

Collection:	Carré
Dimensions:	2.5" W x 2.95" H
Rosette Thickness:	0.36"
Material:	Solid Forged Brass

AVAILABLE FINISHES



ANTIQUE
PEWTER



BRIGHT
CHROME



LIFETIME
BRASS



POLISHED
BRASS



POLISHED
NICKEL



SATIN
BRASS



SATIN
NICKEL



TIMELESS
BRONZE



VINTAGE
BRASS