

Additional Dimensions: (Part # 461232)

- Exterior Projection is 3"
- Interior Projection Depends on Handle Style
- Overall Grip thickness: $\frac{3}{4}$ "
- Clearance between door & grip is $1 \frac{5}{8}$ "
- Plates thickness: $\frac{1}{2}$ "

*Same Dimensions for
Double Cylinder & Dummy Function*

Wrought Steel Tubular Entryset Sectional, Single Cylinder

Lafayette (461212), San Carlos (461222), Normandy (461232)

- Standard Door Thickness: 1⁵/₈"- 2"
- Standard Components:
- 1¹/₂" Rosette Screws
- Single Cylinder Tailpiece
- Outside Entry Spindle
- Inside Passage Half Spindle
- 2¹/₄" Deadbolt Mounting Screws
- Full-Lip Strike Plate
- Deadbolt Strike Plate

- **Extended** Door Thickness: 2"- 2¹/₂"
- Extended Components:
- 2" Rosette Screws
- Long Single Cylinder Tailpiece
- Long Outside Entry Spindle
- Long Inside Passage Half Spindle
- 3" Deadbolt Mounting Screws
- Spindle Extensions
- Extended Full-Lip Strike Plate
- Deadbolt Strike Plate

- **Extended** Door Thickness: 2¹/₂"- 2⁷/₈"
- Extended Components:
- 2¹/₂" Rosette Screws
- Extra Long Single Cylinder Tailpiece
- Long Outside Entry Spindle
- Extra Long Inside Passage Half Spindle
- 3¹/₂" Deadbolt Mounting Screws
- Spindle Extensions
- Extended Full-Lip Strike Plate
- Deadbolt Strike Plate

Wrought Steel Tubular Entryset Sectional, Double Cylinder

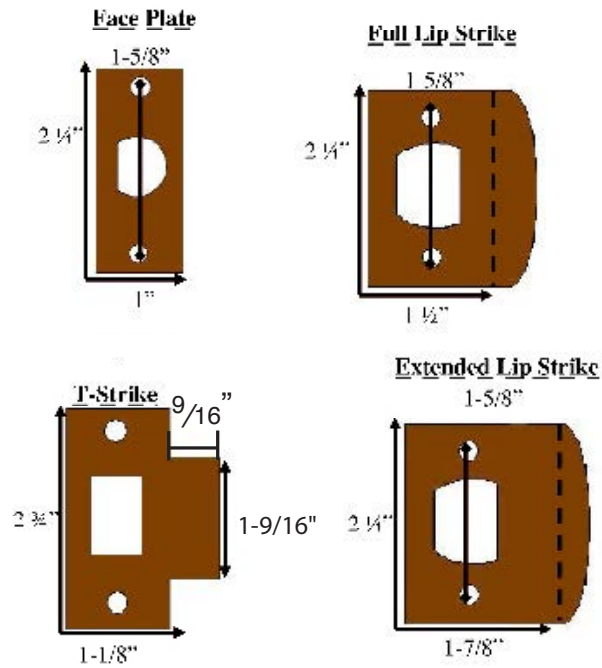
Lafayette (462212), San Carlos (462222), Normandy (462232)

- Standard Door Thickness: 1¹/₂"- 2"
- Standard Components:
- 1¹/₂" Rosette Screws
- Double Cylinder Tailpiece
- Outside Entry Spindle
- Inside Passage Half Spindle
- 2¹/₄" Deadbolt Mounting Screws
- Full-Lip Strike Plate
- Deadbolt Strike Plate

- **Extended** Door Thickness: 2"- 2⁵/₈"
- Extended Components:
- 2" Rosette Screws
- Long Double Cylinder Tailpiece
- Long Outside Entry Spindle
- Long Inside Passage Half Spindle
- 3" Deadbolt Mounting Screws
- Spindle Extensions
- Extended Full-Lip Strike Plate
- Deadbolt Strike Plate

- **Extended** Door Thickness: 2⁵/₈"- 2⁷/₈"
- Extended Components:
- 2¹/₂" Rosette Screws
- Extra Long Double Cylinder Tailpiece
- Long Outside Entry Spindle
- Extra Long Inside Passage Half Spindle
- 3¹/₂" Deadbolt Mounting Screws
- Spindle Extensions
- Extended Full-Lip Strike Plate
- Deadbolt Strike Plate

Face and Strike Plates



Deadbolt Strike Plates

