



Additional Dimensions: (Part # 4410)

- Exterior Projection is $2\frac{1}{16}''$
- Interior Projection Depends on Handle Style
- Overall Grip thickness: $1\frac{1}{4}''$
- Clearance between door & grip is $1\frac{15}{16}''$
- Plates thickness: $\frac{7}{16}''$

**Same Dimensions for
Double Cylinder & Dummy Function**

Brass Tubular Entryset Sectional, Single Cylinder

Saratoga (4410), Knoxville (4310), Hamden (4213), Nashville (4312), Franklin (4413)

<p>• Standard Door Thickness: 1³/₄" - 2¹/₈"</p> <p>Standard Components:</p> <ul style="list-style-type: none"> • 1¹/₂" Rosette Screws • Single Cylinder Tailpiece • Outside Entry Spindle • Inside Passage Half Spindle • 2¹/₄" Deadbolt Mounting Screws • Full-Lip Strike Plate • Deadbolt Strike Plate 	<p>• Extended Door Thickness: 2¹/₄" - 2⁵/₈"</p> <p>Extended Components:</p> <ul style="list-style-type: none"> • 2" Rosette Screws • Long Single Cylinder Tailpiece • Long Outside Entry Spindle • Long Inside Passage Half Spindle • 3" Deadbolt Mounting Screws • Spindle Extensions • Extended Full-Lip Strike Plate • Deadbolt Strike Plate 	<p>• Extended Door Thickness: 2⁵/₈" - 3"</p> <p>Extended Components:</p> <ul style="list-style-type: none"> • 2¹/₂" Rosette Screws • Extra Long Single Cylinder Tailpiece • Long Outside Entry Spindle • Extra Long Inside Passage Half Spindle • 3¹/₂" Deadbolt Mounting Screws • Spindle Extensions • Extended Full-Lip Strike Plate • Deadbolt Strike Plate
---	--	---

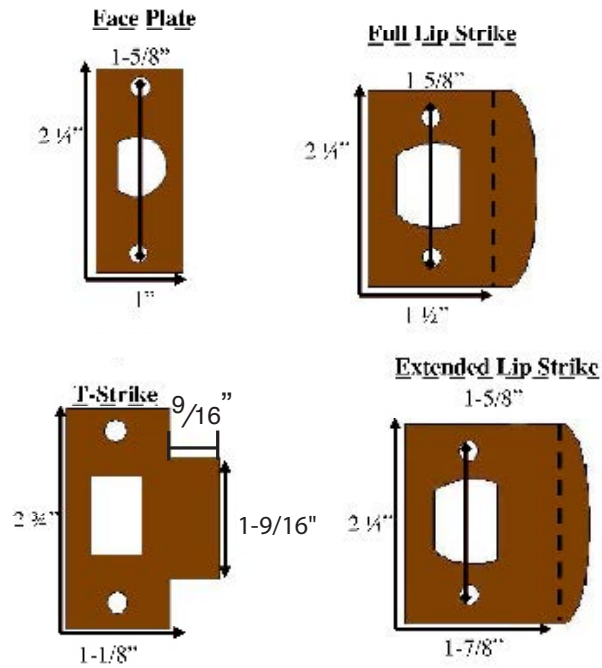
Brass Tubular Entryset Sectional, Double Cylinder

Saratoga (4420), Knoxville (4320), Hamden (4223), Nashville (4322), Franklin (4423)

<p>• Standard Door Thickness: 1⁵/₈" - 2¹/₈"</p> <p>Standard Components:</p> <ul style="list-style-type: none"> • 1¹/₂" Rosette Screws • Double Cylinder Tailpiece • Outside Entry Spindle • Inside Passage Half Spindle • 2¹/₄" & 2¹/₂" Deadbolt Mounting Screws • Full-Lip Strike Plate • Deadbolt Strike Plate 	<p>• Extended Door Thickness: 2¹/₄" - 2⁵/₈"</p> <p>Extended Components:</p> <ul style="list-style-type: none"> • 2" Rosette Screws • Long Double Cylinder Tailpiece • Long Outside Entry Spindle • Long Inside Passage Half Spindle • 3" Deadbolt Mounting Screws • Spindle Extensions • Extended Full-Lip Strike Plate • Deadbolt Strike Plate 	<p>• Extended Door Thickness: 2⁵/₈" - 2⁷/₈"</p> <p>Extended Components:</p> <ul style="list-style-type: none"> • 2¹/₂" Rosette Screws • Extra Long Double Cylinder Tailpiece • Long Outside Entry Spindle • Extra Long Inside Passage Half Spindle • 3¹/₂" Deadbolt Mounting Screws • Spindle Extensions • Extended Full-Lip Strike Plate • Deadbolt Strike Plate
---	--	--

* Part # DB4-COLLAR32 Available for 1³/₈" Thick Doors

Face and Strike Plates



Deadbolt Strike Plates

