

**Additional Dimensions: (Part # 461131)**

- Exterior Projection is 3"
- Interior Projection Depends on Handle Style
- Overall Grip thickness:  $\frac{3}{4}$ "
- Clearance between door & grip is  $1 \frac{5}{8}$ "
- Plates thickness:  $\frac{1}{2}$ "

*Same Dimensions for  
 Double Cylinder & Dummy Function*

## Wrought Steel Tubular Entryset Monolithic, Single Cylinder

Lafayette (461111), San Carlos (461121), Normandy (461131)

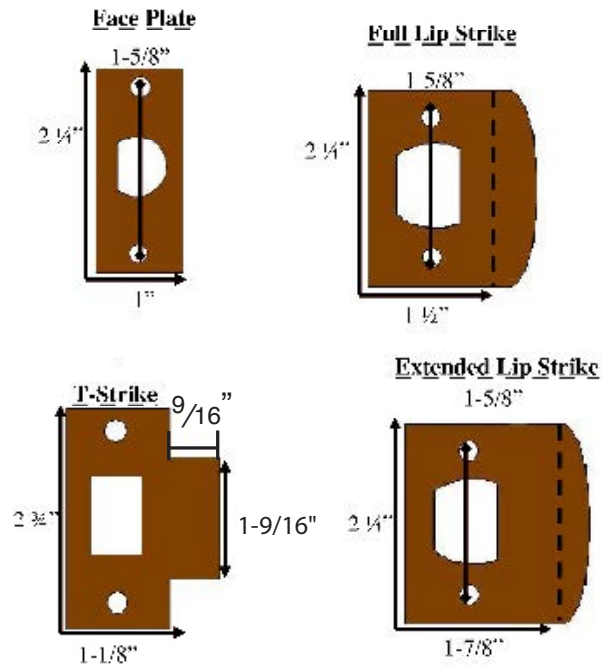
<p>• Standard Door Thickness: 1<sup>3</sup>/<sub>4</sub>" - 2<sup>1</sup>/<sub>8</sub>"</p> <p>Standard Components:</p> <ul style="list-style-type: none"> <li>• 1<sup>1</sup>/<sub>2</sub>" Rosette Screws</li> <li>• Single Cylinder Tailpiece</li> <li>• Outside Entry Spindle</li> <li>• Inside Passage Half Spindle</li> <li>• 2<sup>1</sup>/<sub>4</sub>" Deadbolt Mounting Screws</li> <li>• Full-Lip Strike Plate</li> <li>• Deadbolt Strike Plate</li> </ul>	<p>• <b>Extended</b> Door Thickness: 2<sup>1</sup>/<sub>4</sub>" - 2<sup>1</sup>/<sub>2</sub>"</p> <p>Extended Components:</p> <ul style="list-style-type: none"> <li>• 2" Rosette Screws</li> <li>• Long Single Cylinder Tailpiece</li> <li>• Long Outside Entry Spindle</li> <li>• Long Inside Passage Half Spindle</li> <li>• 2<sup>1</sup>/<sub>2</sub>" Deadbolt Mounting Screws</li> <li>• Spindle Extensions</li> <li>• Extended Full-Lip Strike Plate</li> <li>• Deadbolt Strike Plate</li> </ul>	<p>• <b>Extended</b> Door Thickness: 2<sup>1</sup>/<sub>2</sub>" - 3"</p> <p>Extended Components:</p> <ul style="list-style-type: none"> <li>• 2<sup>1</sup>/<sub>2</sub>" Rosette Screws</li> <li>• Extra Long Single Cylinder Tailpiece</li> <li>• Long Outside Entry Spindle</li> <li>• Extra Long Inside Passage Half Spindle</li> <li>• 3" Deadbolt Mounting Screws</li> <li>• Spindle Extensions</li> <li>• Extended Full-Lip Strike Plate</li> <li>• Deadbolt Strike Plate</li> </ul>
---	---	--

## Wrought Steel Tubular Entryset Monolithic, Double Cylinder

Lafayette (462111), San Carlos (462121), Normandy (462131)

<p>• Standard Door Thickness: 1<sup>3</sup>/<sub>4</sub>" - 2"</p> <p>Standard Components:</p> <ul style="list-style-type: none"> <li>• 1<sup>1</sup>/<sub>2</sub>" Rosette Screws</li> <li>• Double Cylinder Tailpiece</li> <li>• Outside Entry Spindle</li> <li>• Inside Passage Half Spindle</li> <li>• 2<sup>1</sup>/<sub>4</sub>" Deadbolt Mounting Screws</li> <li>• Full-Lip Strike Plate</li> <li>• Deadbolt Strike Plate</li> </ul>	<p>• <b>Extended</b> Door Thickness: 2" - 2<sup>5</sup>/<sub>8</sub>"</p> <p>Extended Components:</p> <ul style="list-style-type: none"> <li>• 2" Rosette Screws</li> <li>• Long Double Cylinder Tailpiece</li> <li>• Long Outside Entry Spindle</li> <li>• Long Inside Passage Half Spindle</li> <li>• 3" Deadbolt Mounting Screws</li> <li>• Spindle Extensions</li> <li>• Extended Full-Lip Strike Plate</li> <li>• Deadbolt Strike Plate</li> </ul>
--	---

## Face and Strike Plates



## Deadbolt Strike Plates

