

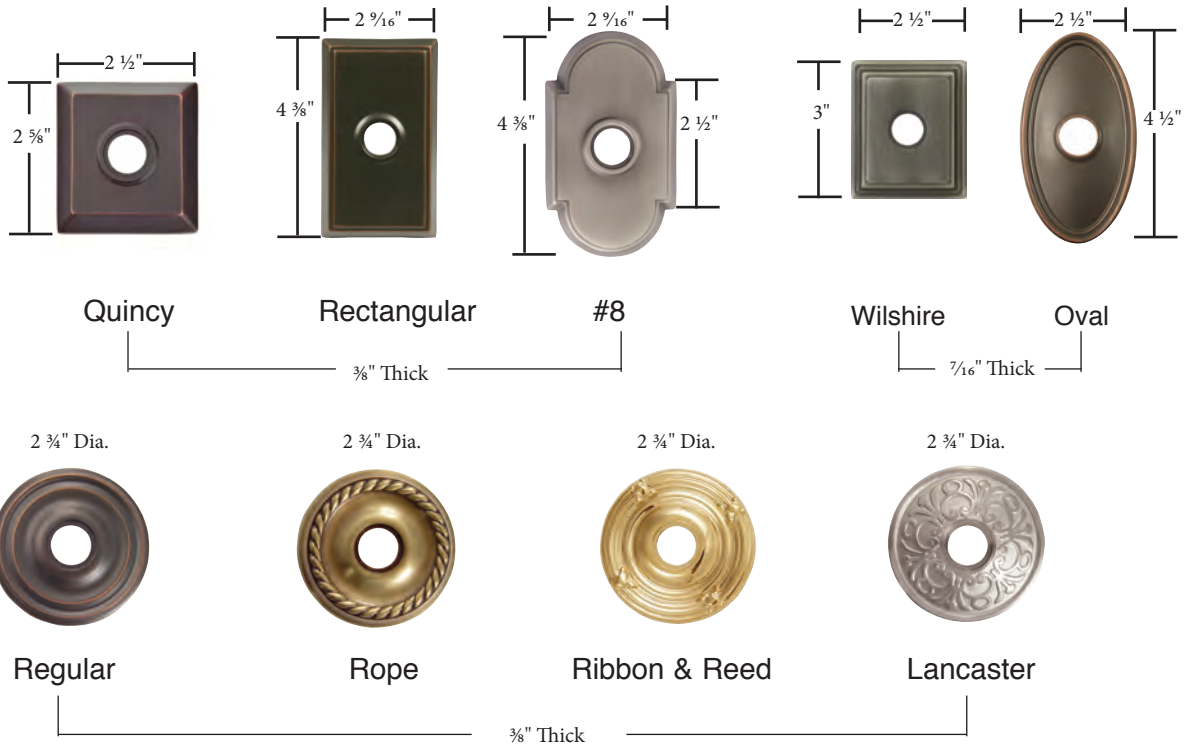
### Door Thickness Specifications

- Standard Door Thickness: 1<sup>1</sup>/<sub>4</sub>" - 2"
- Standard Components:
- Privacy Pin (for privacy sets)
- Inside Passage Half Spindle
- 1<sup>1</sup>/<sub>2</sub>" Rosette Screws
- Full-Lip Strike Plate

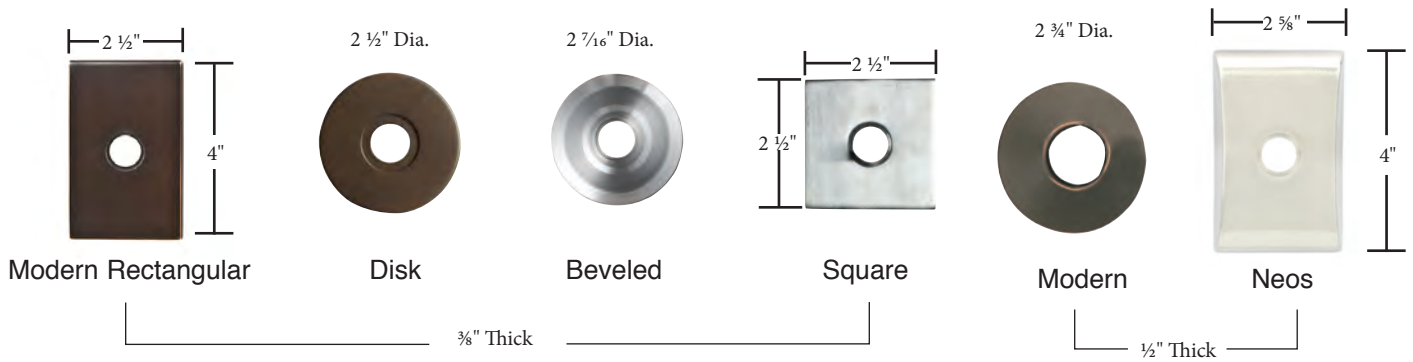
- **Extended** Door Thickness: 2" - 2<sup>1</sup>/<sub>2</sub>"
- Extended Components:
- Privacy Pin w/ Extension (for privacy sets)
- Long Inside Passage Half Spindle
- 2" Rosette Screws
- Extended Full-Lip Strike Plate

- **Extended** Door Thickness: 2<sup>1</sup>/<sub>2</sub>" - 3"
- Extended Components:
- Privacy Pin w/ Extension (for privacy sets)
- Extra Long Inside Passage Half Spindle
- 2<sup>1</sup>/<sub>2</sub>" Rosette Screws
- Extended Full-Lip Strike Plate

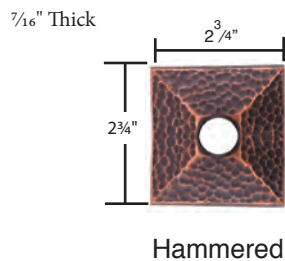
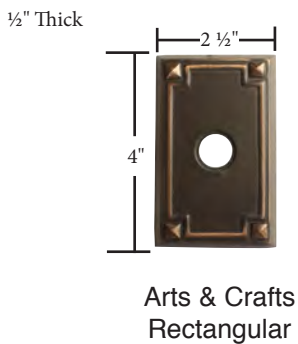
**Brass Rosettes**



**Brass Modern Rosettes**



**Arts & Crafts Rosettes**



**Porcelain Rosette**

