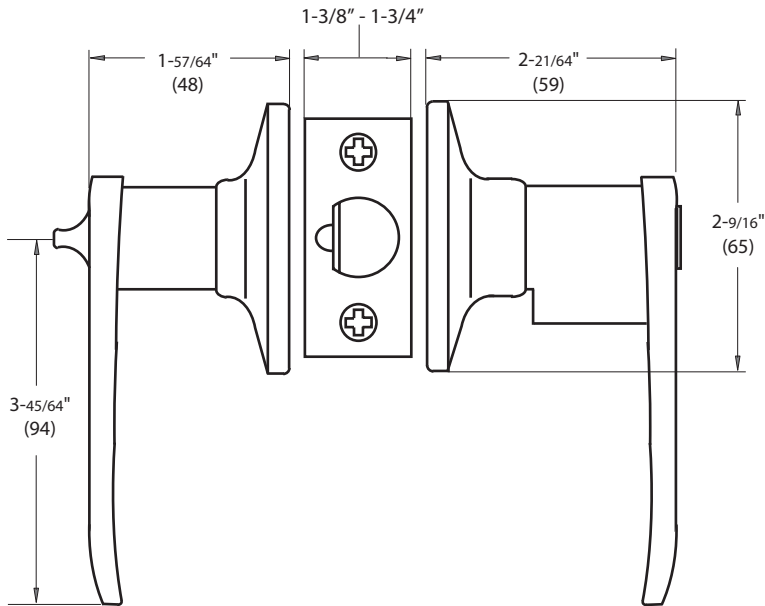


MILTON® GRADE 3



DIMENSIONS



STANDARD SPECIFICATIONS

Door Prep	Cross bore: 2-1/8" Edge bore: 1" Latch face: 1" x 2-1/4"
Backset	Fits 2-3/8" and 2-3/4"
Door Thickness	1-3/8" ~ 1-3/4" door standard
Cylinder	KW1 5-pin standard (Solid Brass) SC1 5-Pin optional. Entries packed KA5
Latches (6-Way Available)	Entrance: 2-3/8" & 2-3/4" adjustable (9045R) Passage/Privacy: 2-3/8" & 2-3/4" adj. (9074) Faceplate: 1" x 2-1/4" round corner Bolt: 1/2" throw
Strikes	1-3/4" x 2-1/4" full lip round corner (9103)
Wood Screws	Combination screws that suit both wood or metal door mounting
Door Handing	Reversible



Model	Function	WT/CTN	CTN QTY		US15 Satin Nickel	US26 Polished Chrome	US12P Tuscany Bronze
500T - MO	Entrance	26 Lbs	20 Pcs	Item No.	D20520	D20526	D20527
500T - MO	Push Button Entry (Panic Proof)	26 Lbs	20 Pcs	Item No.	D20520P	—	—
501T - MO	Passage	23 Lbs	20 Pcs	Item No.	D24520	D24526	D24527
502T - MO	Privacy	24 Lbs	20 Pcs	Item No.	D22520	D22526	D22527
502TP - MO	Push Button Privacy (Panic Proof)	24 Lbs	20 Pcs	Item No.	D22520P	—	D22527P
515 - MO	Dummy	15 Lbs	20 Pcs	Item No.	D25520	D25526	D25527

FUNCTIONS

