



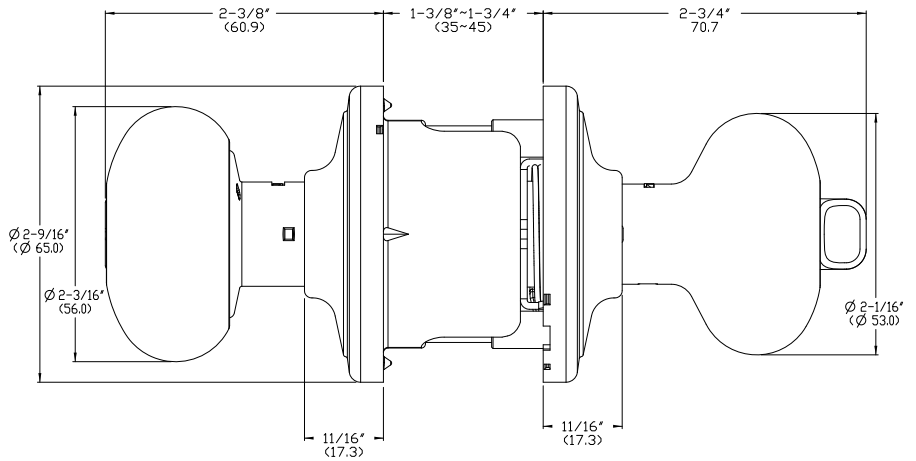
AUBRYN *NEW*

GRADE 2

Specifications

Door Prep	Cross bore: 2-1/8" Edge bore: 1" Latch face: 1" x 2-1/4"	Latches	Entrance: 2-3/8" & 2-3/4" 6-way adjustable Passage/Privacy: 2-3/8" & 2-3/4" 6-way adjustable Faceplate: 1" x 2-1/4" round corner Bolt: 1/2" throw
Backset	Fits 2-3/8" and 2-3/4"	Strikes	1-3/4" x 2-1/4" full lip round corner (9103)
Door Thickness	1-3/8" ~ 1-3/4" door standard	Wood Screws	Combination screws that suit both wood or metal door mounting
Cylinder	SC1 5-pin standard . Entries packed KA5 KW1 5-pin optional	Grade 2 Features	<ul style="list-style-type: none"> • Concealed screws • Panic Proof • UL Rated • Full Protection Collar

(as shown in line drawing)



VISUAL BOX PACKAGING

Model	Function	WT/CTN	CTN QTY		US15 Satin Nickel	US3 Polished Brass	US26 Polished Chrome	US19 Black	US12P Tuscany Bronze
100TT-AU-G2	Entrance	24 Lbs	12 Pcs	Item No.	311522	311523	311526	311529	311527
101TT-AU-G2	Passage	22 Lbs	12 Pcs	Item No.	314522	314523	314526	314529	314527
102TT-AU-G2	Privacy	22 Lbs	12 Pcs	Item No.	312522	312523	312526	312529	312527
115TT-AU-G2	Dummy (Pair)	21 Lbs	12 Pair	Item No.	315522	315523	315526	315529	315527