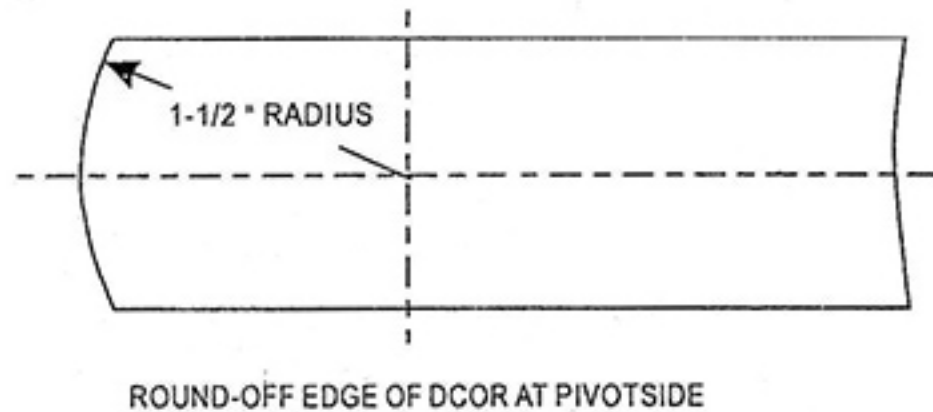


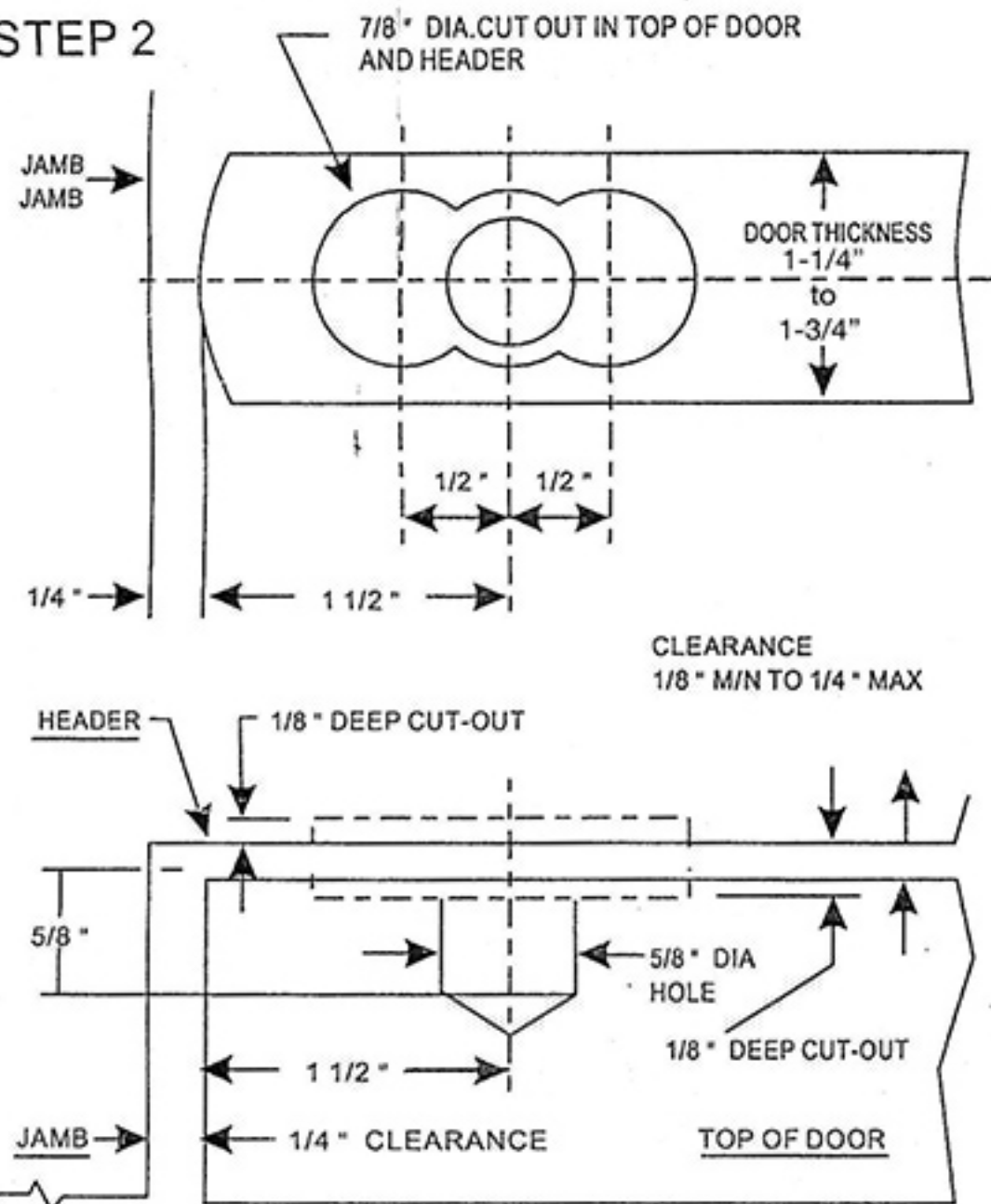
DASH95

Technical Instructions

STEP 1

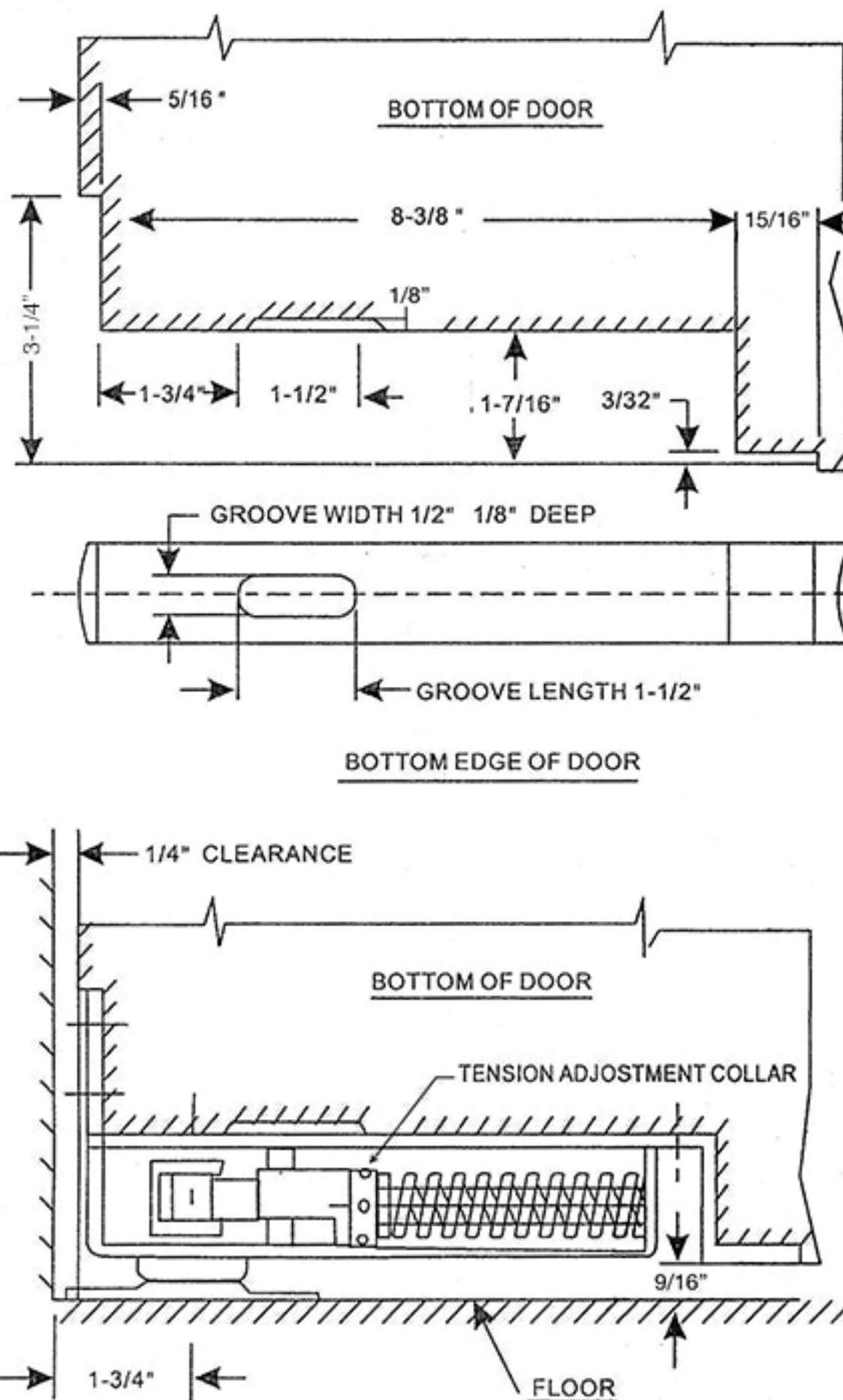


STEP 2



1. PREPARE 7/8 DIAMETER CUT-OUT IN THE TOP OF DOOR AND HEADER
2. INSTALL THE TOP PIVOT IN HEADER AND
3. MOUNT THE TOP PIVOT PLATE IN TOP OF DOOR
4. THE TOP PIVOT ASSEMBLY AND SPRING PIVOT ASSEMBLY AT BOTTOM OF DOOR MUST BE PLUMB AND ON THE SAME CENTERLINE.

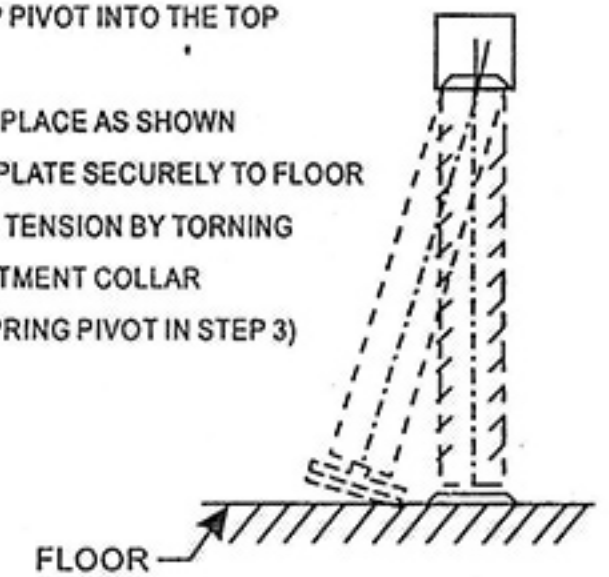
STEP 3



- PREPARE THE BOTTOM CORNER OF THE DOOR
INSTALL THE SPRING PIVOT ASSEMBLY AS SHOWN

STEP 4

1. INSERT THE TOP PIVOT INTO THE TOP PIVOT PLATE
2. SWING DOOR IN PLACE AS SHOWN
3. FASTEN FLOOR PLATE SECURELY TO FLOOR
4. ADJUST SPRING TENSION BY TIGHTENING TENSION ADJUSTMENT COLLAR (SEE VIEW OF SPRING PIVOT IN STEP 3)



STEP 5

-
- JAMB
- BOTTOM OF DOOR
- BACK PLATE SIDE PLATE
- FLOOR
1. INSTALL SIDE PLATES AS SHOWN (USE TOP HOLES IN SIDE PLATES ONLY)
 2. ATTACH BACK PLATE.

INSTALLATION INSTRUCTIONS
CAUTION: WORK SAFELY WEAR SAFETY GLASSES WHEN INSTALLING AND TENSIONING HORIZONTAL PIVOTS.

DOUBLE ACTION
FLOOR SPRING HINGE

P/N: DASH95U _____

INSTALLING SWINGING PASSAGEWAY DOORS

A full-sized swinging door is ideal between kitchens and dining areas. It can be pushed open from either direction and automatically swings shut when released because of its spring-operated bottom hinge. Spring hinges are secured both to the floor and the bottom edge of the door.

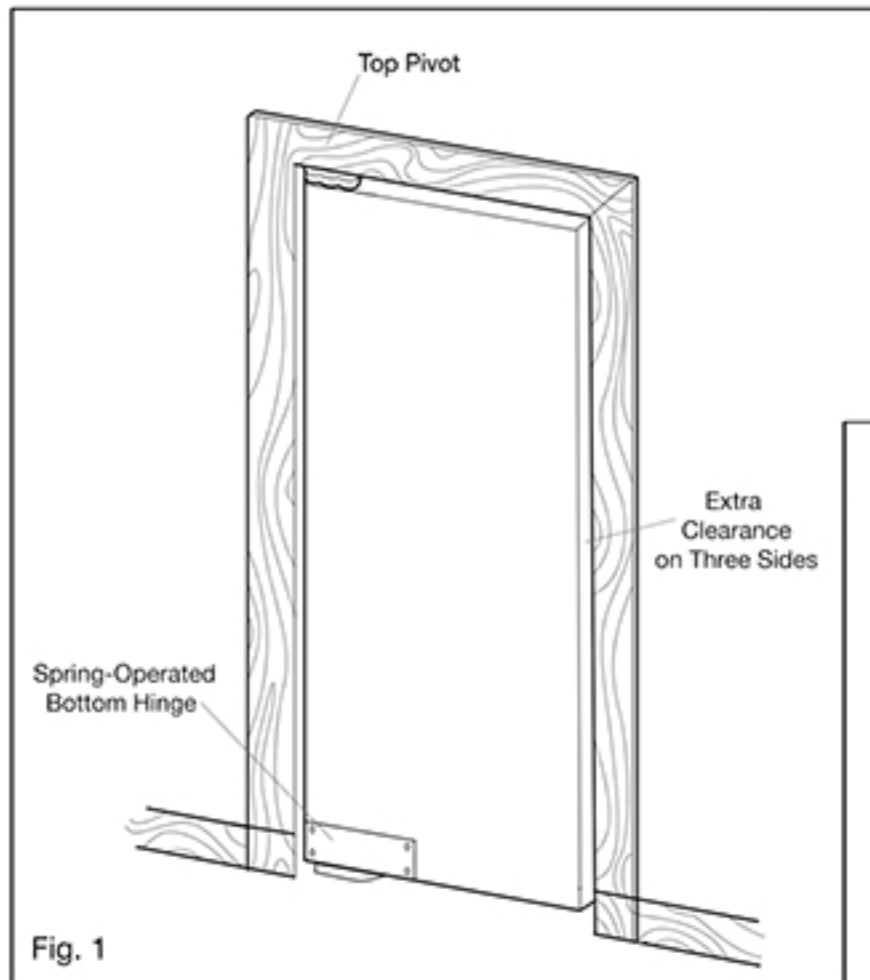


Fig. 1

Round the Edges

Using a jack plane or a router, round the edges on both sides of the door. (Fig. 2)

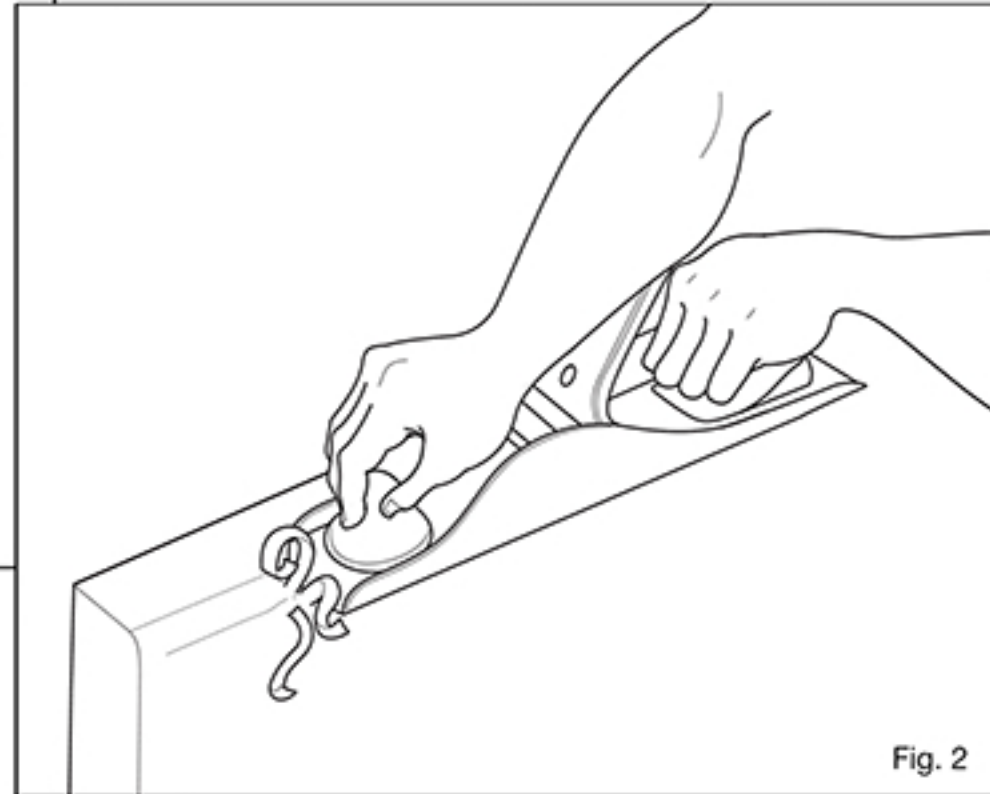


Fig. 2

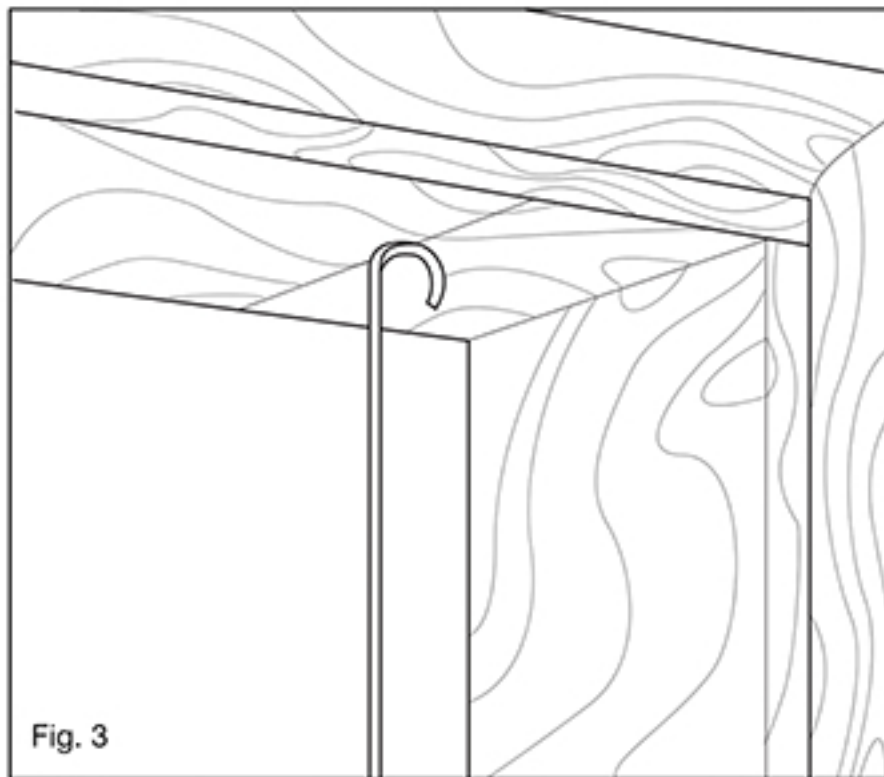


Fig. 3

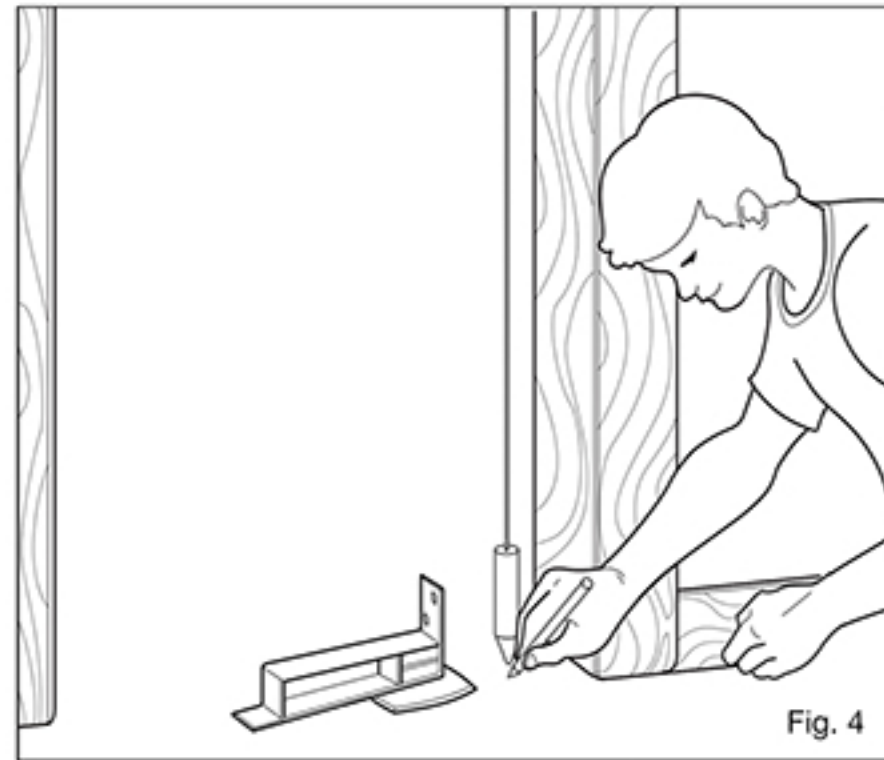


Fig. 4

Lay Out the Hinges

On the head jamb, mark the top pivot location at the distance from the hinge-side jamb specified by the hinge manufacturer. Use a combination square to extend the mark across the width of the head jamb, then suspend a plumb bob from the center of this line.

Next, measure the distance between the side jamb and the plumb line at several points. If the distance is less than the door clearance given by the manufacturer, adjust the location of the top pivot accordingly. Mark the point where the plumb bob touches the floor.

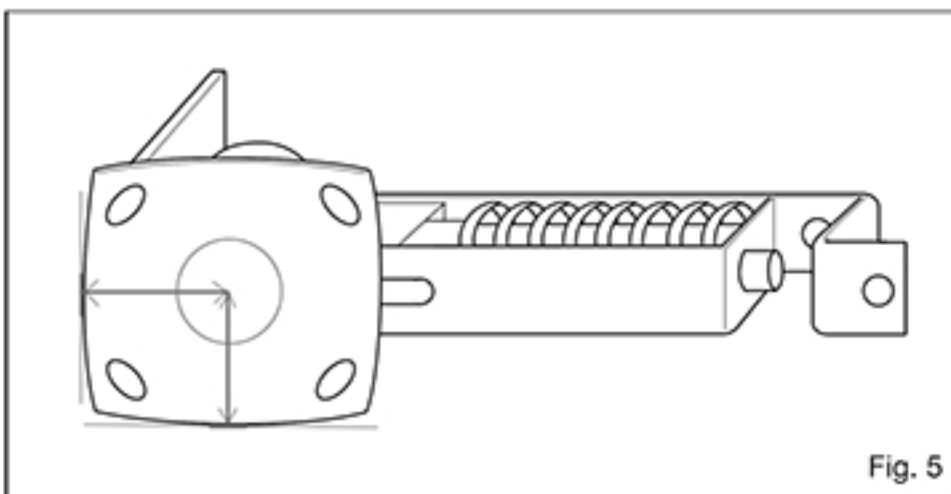


Fig. 5

Align the Pivot Plate

Measure the distance from the center of the pivot to one end and one side of the pivot plate. Make a mark on the floor at the same distances from the plumb bob mark. Align the pivot plate with these marks, centering it over the plumb bob mark, and then outline the plate on the floor. (Fig. 5)

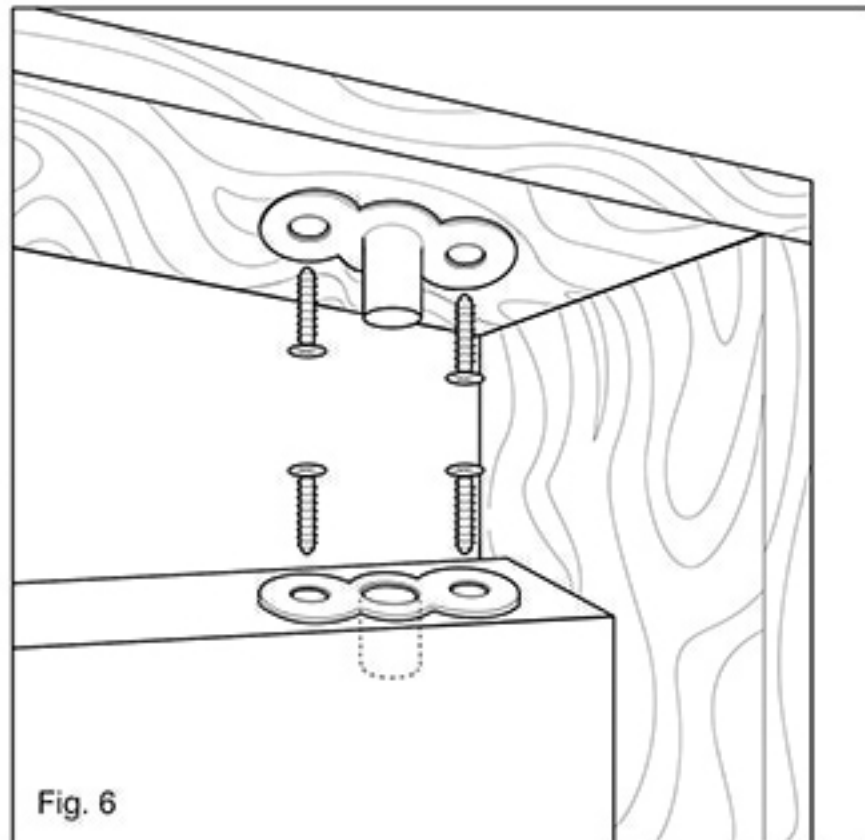


Fig. 6

Install the Top Pivot

Drill a hole in the head jamb at the location of the top pivot to accommodate the top pivot cap, and then insert the cap in the hole. Mortise a recess for the wings of the cap, similar to mortising the leaf of a standard hinge. Turn the cap over and screw it to the jamb.

To locate the pivot socket in the top of the door, subtract the clearance between the door and the side jamb (as specified by the pivot hinge manufacturer) from the top pivot measurement on the head jamb. Mark this location on a centerline drawn along the top of the door, and then drill and mortise for the pivot socket. Screw the socket to the door. (Fig. 6)

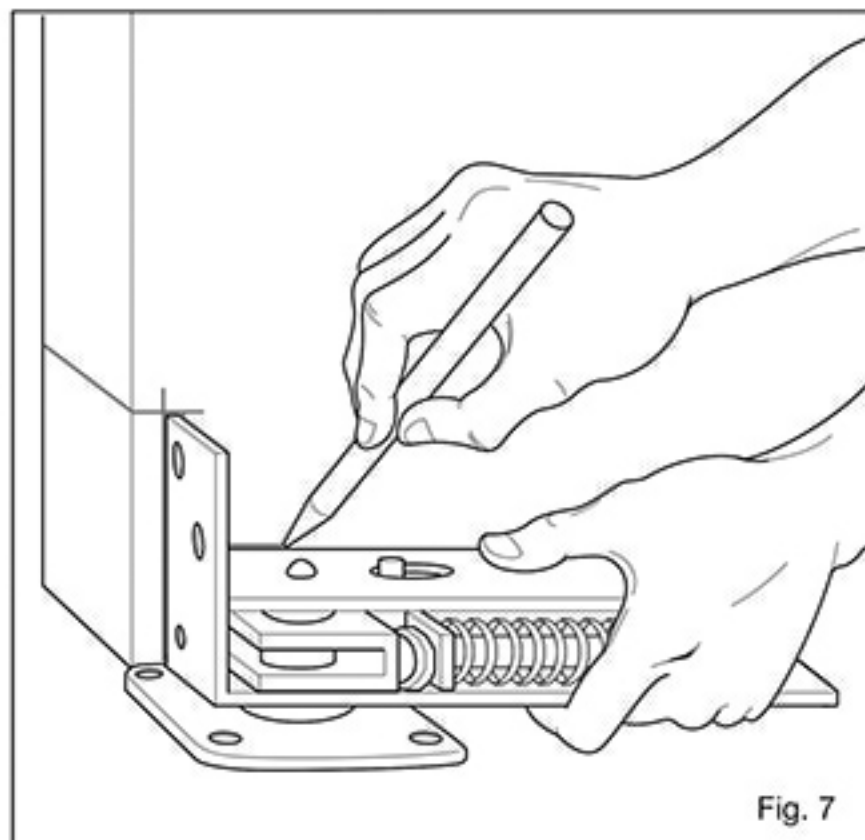


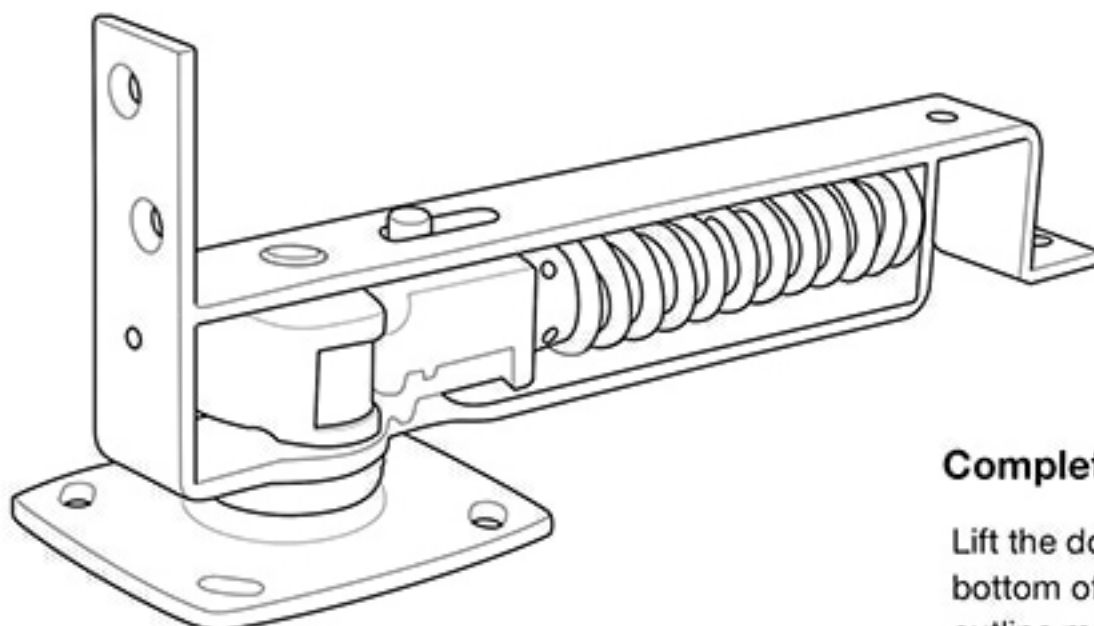
Fig. 7

Mount the Floor Hinge

Starting at the bottom of the door, draw a line on the face of the door 5/16-inch from the hinge-side edge.

Align the floor hinge assembly with the line and the bottom of the door. Outline the entire hinge with a pencil. At the top of the hinge, run a line across the edge of the door.

Use a handsaw and a chisel to cut out all the wood within the outline, set the hinge in the cutout, and then fasten the hinge to the bottom of the door using wood screws.



Complete the Installation

Lift the door and fit the pivot socket over the pivot cap. At the bottom of the door, screw the pivot plate to the floor over the outline made in step 2.

If your door rests off-center, you can modify the door's resting position by re-adjusting the position of the base plate mounting screws until you achieve the resting angle you require, then set the speed and force of the door's swing by adjusting the spring-tension nut.

Finally, cover the hinge and the gap at the bottom corner of the door using the trim plates provided by the manufacturer.