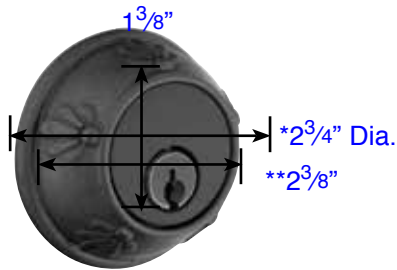


## Tuscany Style Deadbolt



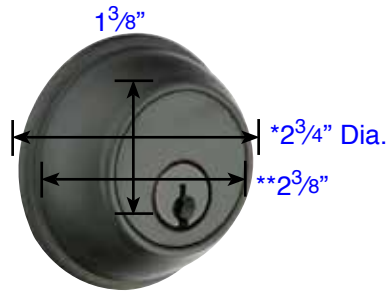
### Exterior Trim (8456)

- \* 2<sup>3</sup>/<sub>4</sub>" Diameter with Exterior ring
- \*\* 2<sup>3</sup>/<sub>8</sub>" Diameter without Exterior ring
- Projection with ext. ring: 1"
- Projection without ext. ring: 1<sup>1</sup>/<sub>16</sub>"
- 8356 same both sides
- Available Extension Collar for Thin Doors

### Interior Trim (8456)

- Projection is 1<sup>1</sup>/<sub>4</sub>"
- Thickness is 5/16"

## Tuscany Classic Style Deadbolt



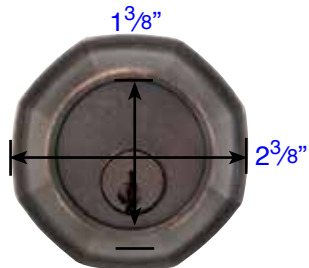
### Exterior Trim (8471)

- \* 2<sup>3</sup>/<sub>4</sub>" Diameter with Exterior ring
- \*\* 2<sup>3</sup>/<sub>8</sub>" Diameter without Exterior ring
- Projection with ext. ring: 1"
- Projection without ext. ring: 1<sup>1</sup>/<sub>16</sub>"
- 8371 same both sides
- Available Extension Collar for Thin Doors

### Interior Trim (8471)

- Projection is 1<sup>1</sup>/<sub>4</sub>"
- Thickness is 5/16"

## Octagon Style Deadbolt



### Exterior Trim (8460)

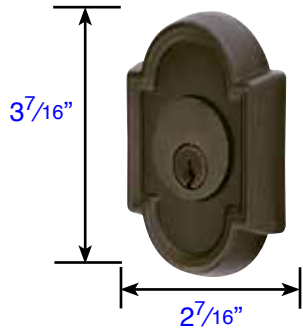
- Projection is 3/4"
- 8360 same on both sides

### Interior Trim (8460)

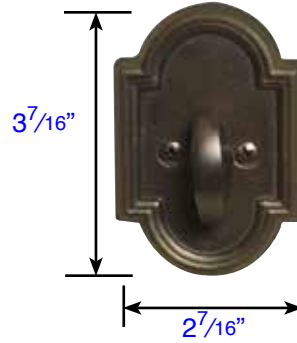
- Projection is 1<sup>1</sup>/<sub>4</sub>"
- Thickness is 5/16"

## #11 Style Deadbolt

---



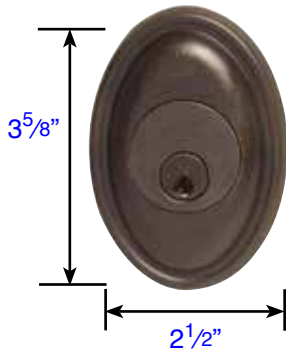
Exterior Trim (8472)  
• Projection is  $\frac{11}{16}$ "  
8372 same both sides



Interior Trim (8472)  
• Projection is  $1\frac{1}{4}$ "  
• Thickness is  $\frac{9}{16}$ "

## #14 Style Deadbolt

---



Exterior Trim (8473)  
• Projection is  $\frac{11}{16}$ "  
8373 same both sides



Interior Trim (8473)  
• Projection is  $1\frac{1}{4}$ "  
• Thickness is  $\frac{9}{16}$ "

### Bronze Tuscany & Tuscany Classic Style Deadbolt, Single Cylinder

Tuscany (8456)\* & Tuscany Classic (8471)

- Standard Door Thickness: 1<sup>3</sup>/<sub>4</sub>"- 2<sup>1</sup>/<sub>4</sub>"
- Standard Components:
  - Single Cylinder Tailpiece
  - 2<sup>1</sup>/<sub>4</sub>" Deadbolt Mounting Screws
  - Deadbolt Strike Plate

- **Extended** Door Thickness: 2<sup>1</sup>/<sub>4</sub>"- 2<sup>3</sup>/<sub>4</sub>"
- Extended Components:
  - Long Single Cylinder Tailpiece
  - 3" Deadbolt Mounting Screws
  - Deadbolt Strike Plate

- **Extended** Door Thickness: 2<sup>3</sup>/<sub>4</sub>"- 3<sup>3</sup>/<sub>8</sub>"
- Extended Components:
  - Extra Long Single Cylinder Tailpiece
  - 3<sup>1</sup>/<sub>2</sub>" Deadbolt Mounting Screws
  - Deadbolt Strike Plate

\* Part # DB4-TUSDBRG Available for 1<sup>3</sup>/<sub>8</sub>" Thick Doors

### Bronze Tuscany & Tuscany Classic Style Deadbolt, Double Cylinder

Tuscany (8356) & Tuscany Classic (8371)

- Standard Door Thickness: 1<sup>3</sup>/<sub>4</sub>"- 2<sup>1</sup>/<sub>8</sub>"
- Standard Components:
  - Double Cylinder Tailpieces
  - 2<sup>1</sup>/<sub>2</sub>" & 3" Deadbolt Mounting Screws
  - Deadbolt Strike Plate

- **Extended** Door Thickness: 2<sup>1</sup>/<sub>8</sub>"- 2<sup>7</sup>/<sub>8</sub>"
- Extended Components:
  - Long Double Cylinder Tailpieces
  - 3" & 3<sup>1</sup>/<sub>2</sub>" Deadbolt Mounting Screws
  - Deadbolt Strike Plate

### Lost Wax Cast Bronze Deadbolts, Single Cylinder

Octagon (8460), Art Nouveau (8470), #11 Style (8472), #14 Style (8473)

- Standard Door Thickness: 1<sup>3</sup>/<sub>8</sub>"- 2<sup>1</sup>/<sub>4</sub>"
- Standard Components:
  - Single Cylinder Tailpiece
  - 2<sup>1</sup>/<sub>2</sub>" & 3" Deadbolt Mounting Screws
  - Deadbolt Strike Plate

- **Extended** Door Thickness: 2<sup>1</sup>/<sub>4</sub>"- 3"
- Extended Components:
  - Long Single Cylinder Tailpiece
  - 3" & 3<sup>1</sup>/<sub>2</sub>" Deadbolt Mounting Screws
  - Deadbolt Strike Plate

### Lost Wax Cast Bronze Deadbolts, Double Cylinder

Octagon (8360), Art Nouveau (8370), #11 Style (8372), #14 Style (8373)

- Standard Door Thickness: 1<sup>3</sup>/<sub>4</sub>"- 2<sup>3</sup>/<sub>8</sub>"
- Standard Components:
  - Double Cylinder Tailpieces
  - 2<sup>1</sup>/<sub>4</sub>" & 2<sup>1</sup>/<sub>2</sub>" Deadbolt Mounting Screws
  - Deadbolt Strike Plate

- **Extended** Door Thickness: 2<sup>3</sup>/<sub>8</sub>"- 3"
- Extended Components:
  - Long Double Cylinder Tailpieces
  - 3" & 3<sup>1</sup>/<sub>2</sub>" Deadbolt Mounting Screws
  - Deadbolt Strike Plate

**Bronze *Single-Sided* Deadbolts**

Tuscany (8456)\* & Tuscany Classic (8471), Octagon (8460),

- Standard Door Thickness: 1<sup>3</sup>/<sub>8</sub>" - 2"
- Standard Components:
  - Single Cylinder Tailpiece
  - 1<sup>3</sup>/<sub>4</sub>" Deadbolt Mounting Screws
  - Deadbolt Strike Plate

- *Extended* Door Thickness: 2<sup>3</sup>/<sub>8</sub>" - 2<sup>3</sup>/<sub>4</sub>"
- Extended Components:
  - Long Single Cylinder Tailpiece
  - 2<sup>1</sup>/<sub>4</sub>" Deadbolt Mounting Screws
  - Deadbolt Strike Plate

- *Extended* Door Thickness: 2<sup>7</sup>/<sub>8</sub>" - 3<sup>3</sup>/<sub>8</sub>"
- Extended Components:
  - Extra Long Single Cylinder Tailpiece
  - 2<sup>1</sup>/<sub>2</sub>" & 3" Deadbolt Mounting Screws
  - Deadbolt Strike Plate

\* Part # DB4-TUSDBRG Available for 1<sup>3</sup>/<sub>8</sub>" Thick Doors

**Bronze *Single-Sided* Deadbolts**

#11 Style (8472)\*, #14 Style (8473)

- Standard Door Thickness: 1<sup>3</sup>/<sub>4</sub>" - 2"
- Standard Components:
  - Single Cylinder Tailpiece
  - 1<sup>3</sup>/<sub>4</sub>" Deadbolt Mounting Screws
  - Deadbolt Strike Plate

- *Extended* Door Thickness: 2<sup>3</sup>/<sub>8</sub>" - 2<sup>3</sup>/<sub>4</sub>"
- Extended Components:
  - Long Single Cylinder Tailpiece
  - 2<sup>1</sup>/<sub>4</sub>" Deadbolt Mounting Screws
  - Deadbolt Strike Plate

- *Extended* Door Thickness: 2<sup>7</sup>/<sub>8</sub>" - 3<sup>3</sup>/<sub>8</sub>"
- Extended Components:
  - Extra Long Single Cylinder Tailpiece
  - 2<sup>1</sup>/<sub>2</sub>" & 3" Deadbolt Mounting Screws
  - Deadbolt Strike Plate

**Deadbolt Strike Plates**

