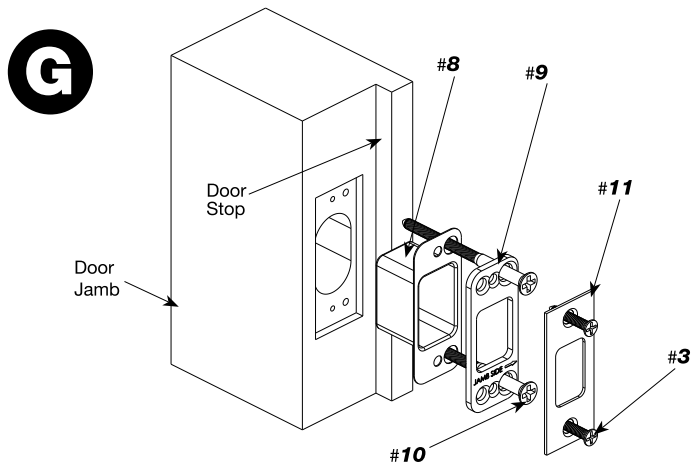
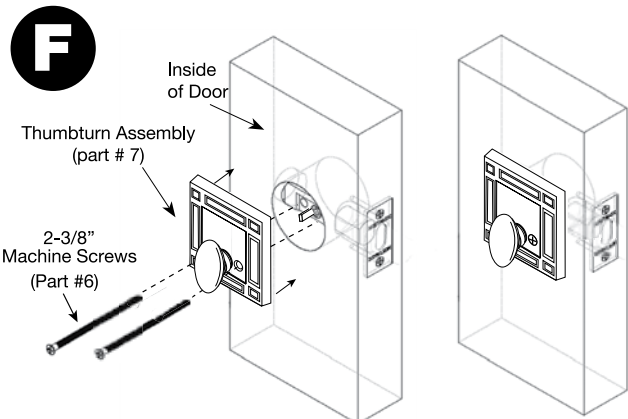
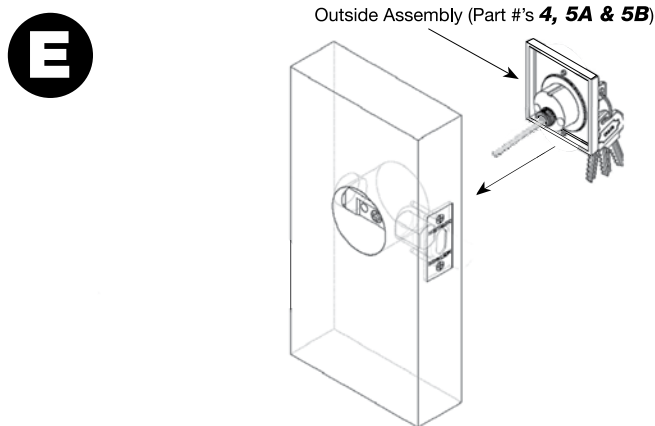
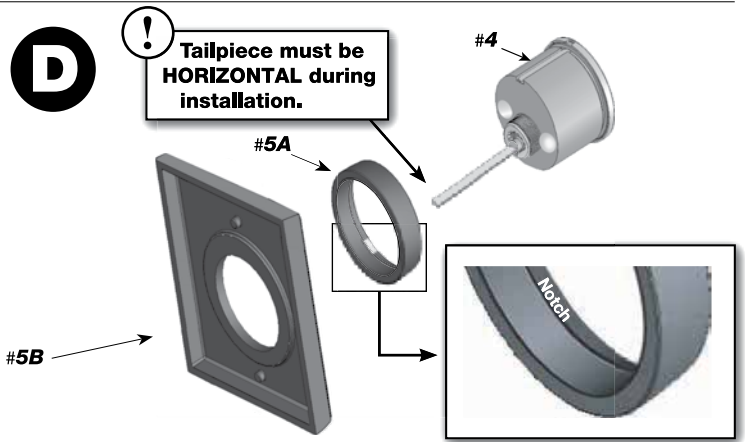
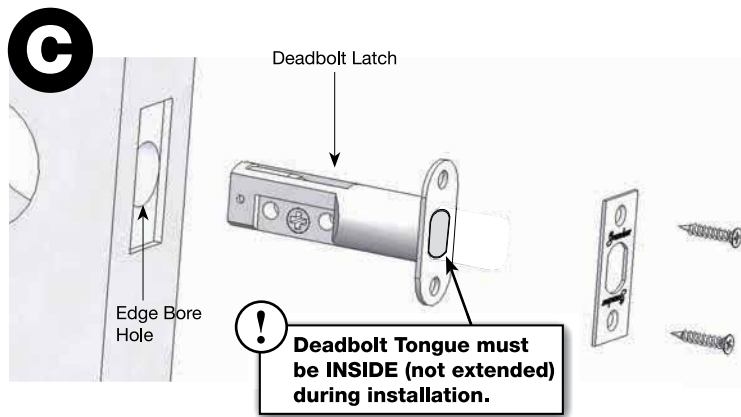
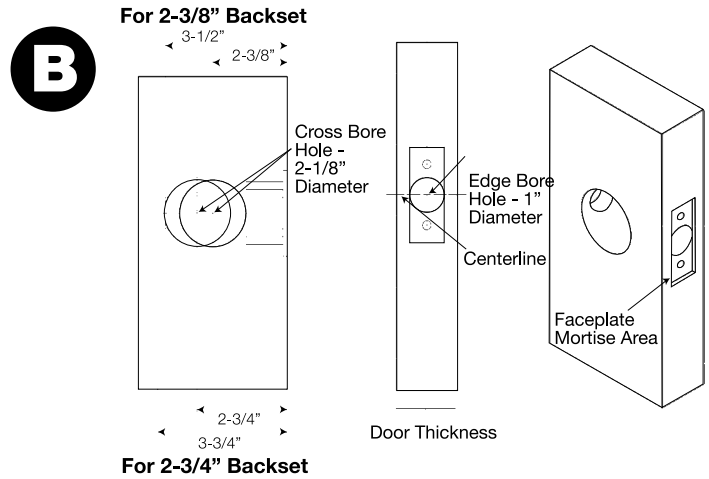
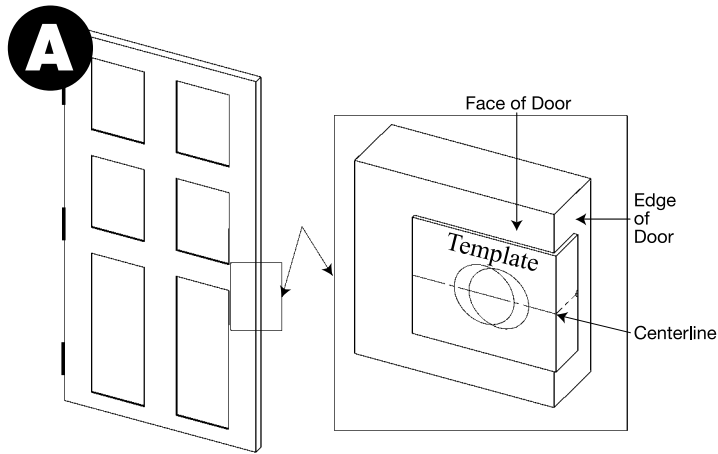


Craftsman and Mission Installation Instructions

Updated September 2014

Single Cylinder Deadbolt

NOTE: Deadbolts fit doors 1-3/4" to 2-1/4" thick.
For thicker doors, please call customer service.

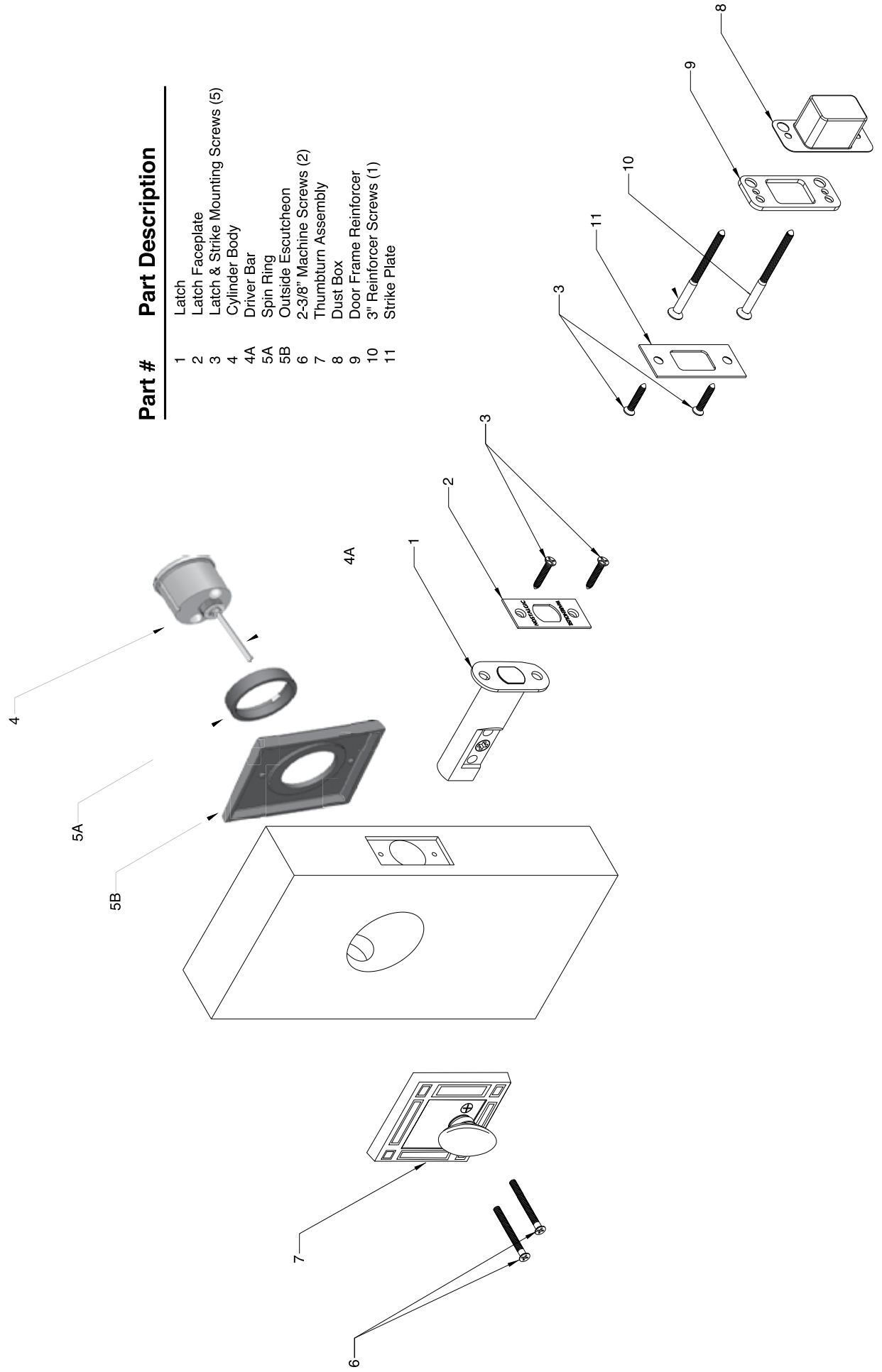


For Assistance Call:

1-800-522-7336

8 am - 5 pm, Monday - Friday, MST

Single Cylinder Deadbolt Exploded Parts Drawing



Part #	Part Description
1	Latch
2	Latch Faceplate
3	Latch & Strike Mounting Screws (5)
4	Cylinder Body
4A	Driver Bar
5A	Spin Ring
5B	Outside Escutcheon
6	2-3/8" Machine Screws (2)
7	Thumbturn Assembly
8	Dust Box
9	Door Frame Reinforcer
10	3" Reinforcer Screws (1)
11	Strike Plate

DEADBOLT DOOR PREPARATION TEMPLATE

