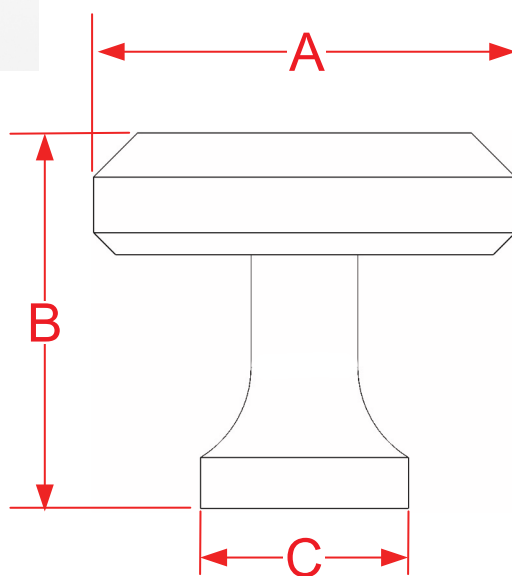


526 & 527 Cabinet Knobs Series

Finishes for Life
TARNISH-FREE GUARANTEED



	A	B	C
Part #	Diameter	Projection	Base
526	1.2500"	1.1875"	0.6150"
527	1.5000"	1.1875"	0.6150"
Custom Sizing Available			



Manufacturing Fine Architectural Hardware
in the USA Since 1927

