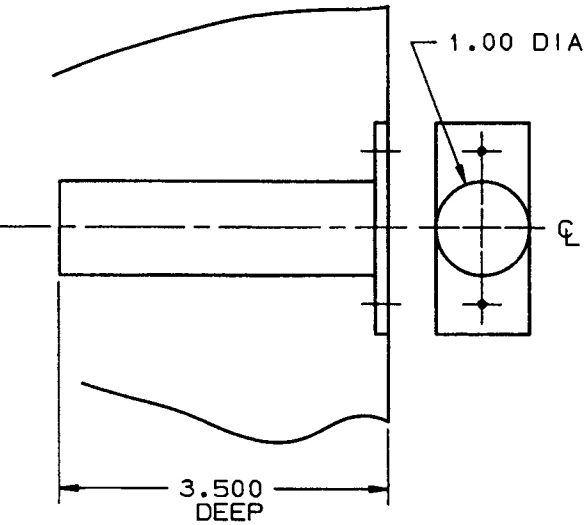
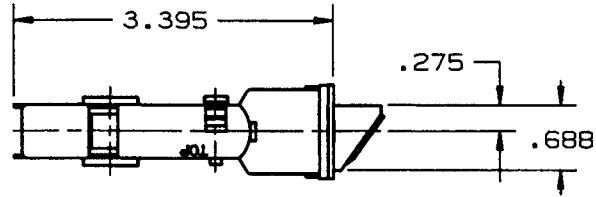


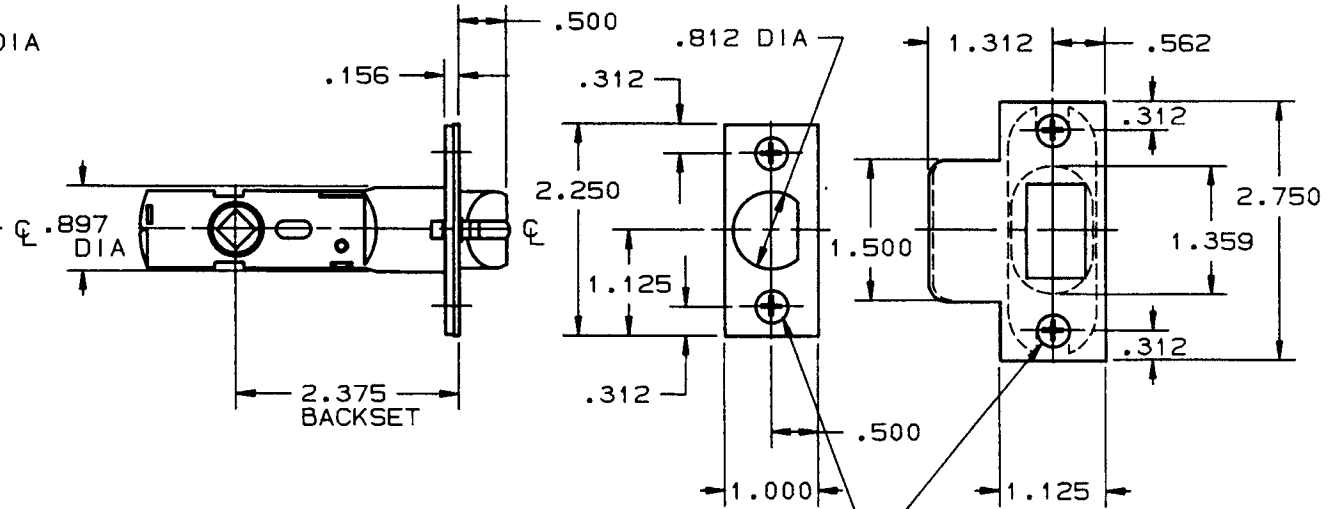
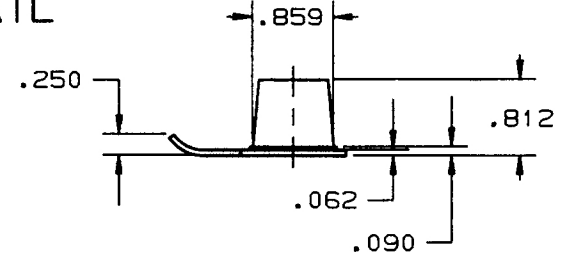
DOOR DETAIL



☉ STRIKE, LATCH,  
AND DOOR



LOCK DETAIL



NO. 8 FL PH SMS  
X .750 LONG (4-REQ'D)

NOTE:  
1. SEE SPECIFIC TRIM TEMPLATE FOR  
ADDITIONAL DOOR CUTOUT DETAILS.

DO NOT SCALE DRAWING

<b>BALDWIN</b>	
<b>5510, 5513 LATCH</b>	
TEMPLATE NO. VARIATIONS	TEMPLATE NO.
	<b>F500</b>

©1991 by Baldwin Hardware Corporation

EFFECTIVE: 1-2-91 PALS