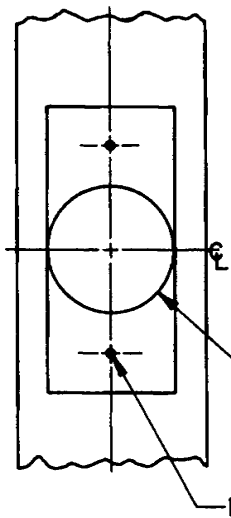
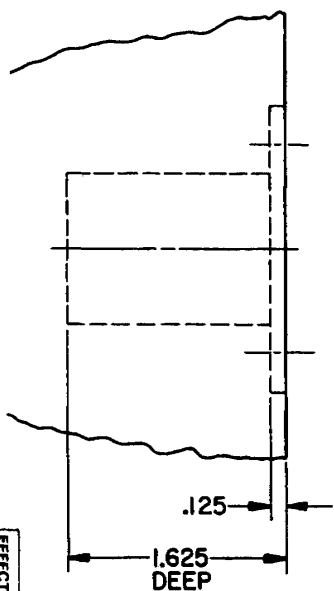
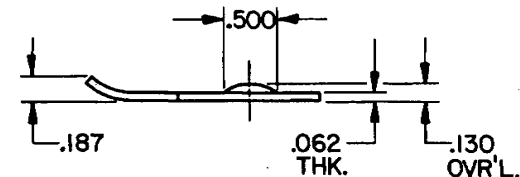
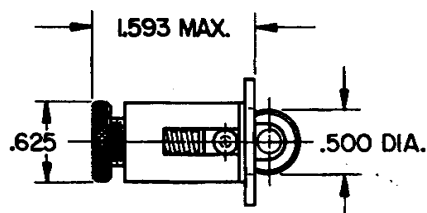


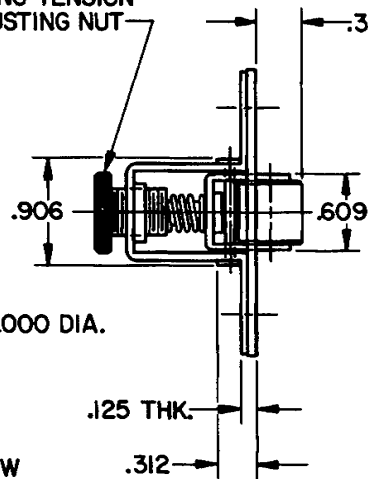
# DOOR DETAIL

# CATCH DETAIL

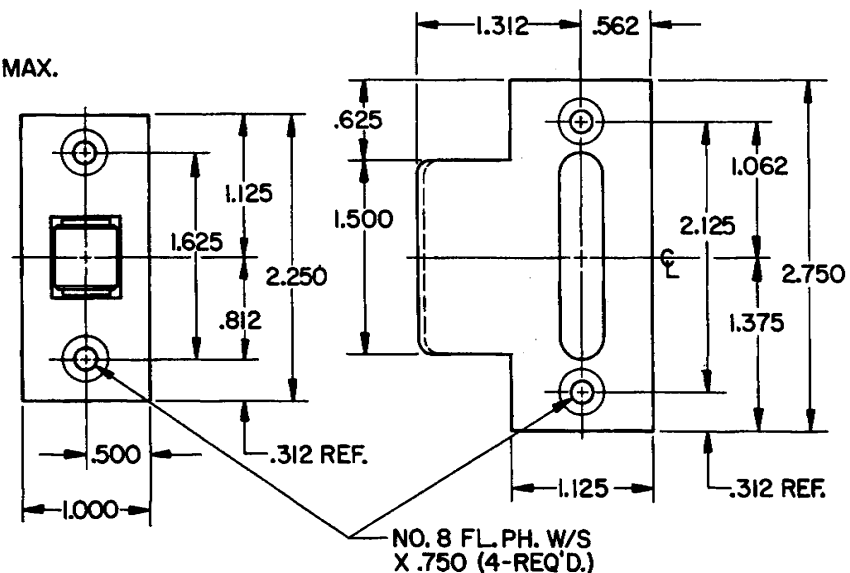
# STRIKE DETAIL



SPRING TENSION ADJUSTING NUT



DRILL 1.000 DIA.



NO. 8 FL. PH. W/S X .750 (4-REQ'D.)

EFFECTIVE: 5-1-88 R.A.M.

<b>B. BALDWIN</b>	
<b>0440 ADJ. ROLLER CATCH</b>	
TEMPLATE NO. VARIATIONS	TEMPLATE NO.
	<b>A202</b>

DO NOT SCALE DRAWING

© 1988 by Baldwin Hardware Corporation