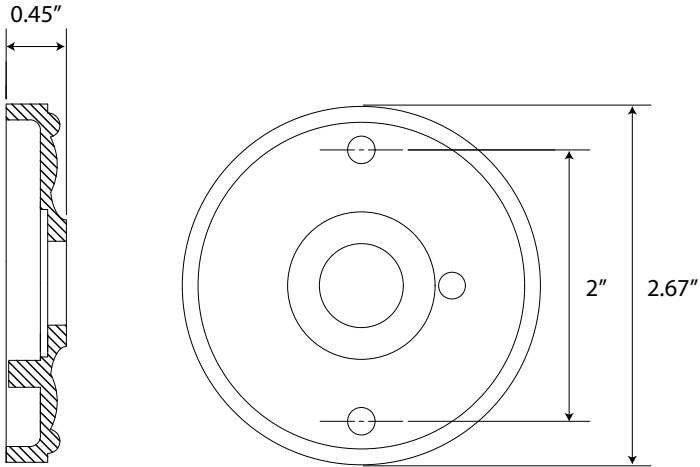


TECHNICAL SPECIFICATIONS

Loch Rosette



> Design code: LOC

> Material: Cast iron, zinc plated and powder coated



Keep Knob on Loch Rosette