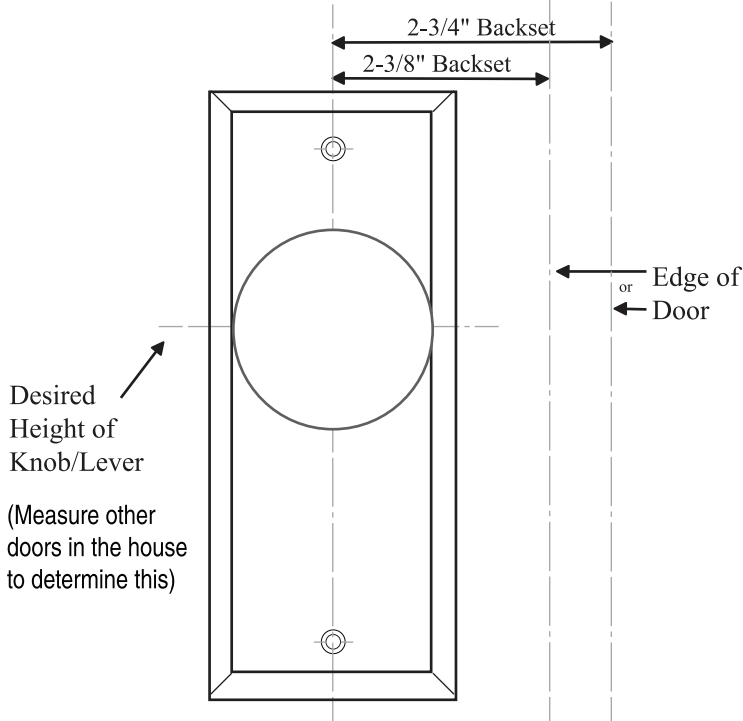
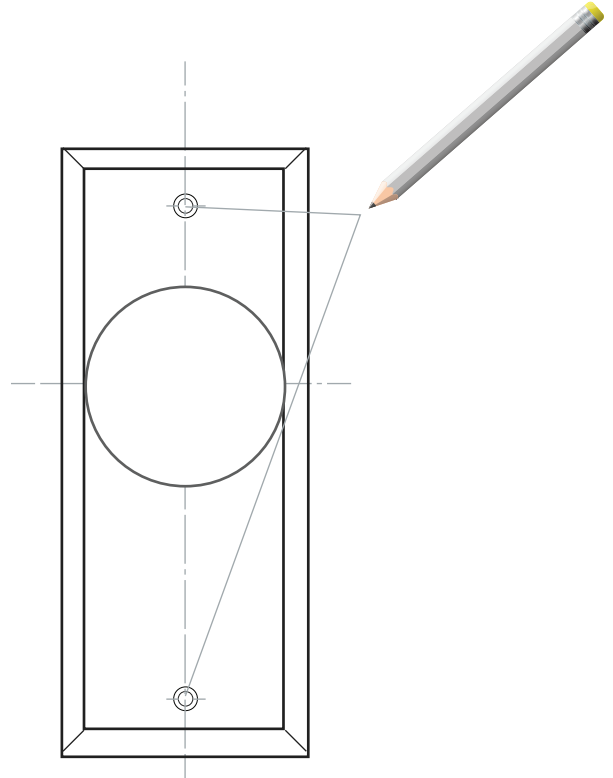


Note: Diagrams depicted on this page are not to scale

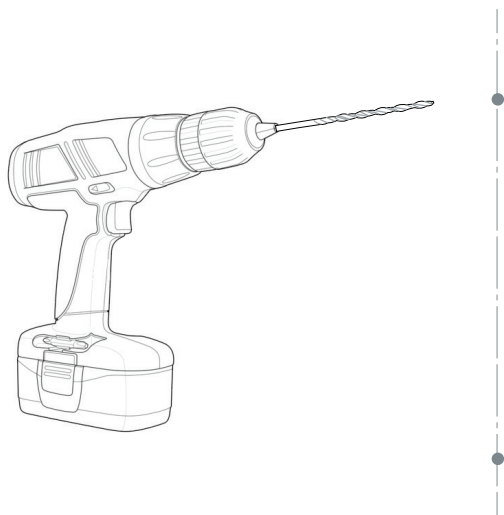
**A** Determine backset (distance between edge of door and center of rosette.) Check other doors in the house to determine backset.



**B** Mark the holes



**C** Using a 7/64" drill bit, drill the screw holes at least 3/4" deep.



**D** Insert the mounting screws and tighten until snug. **DO NOT USE POWER TOOLS TO TIGHTEN THE SCREWS!**

